

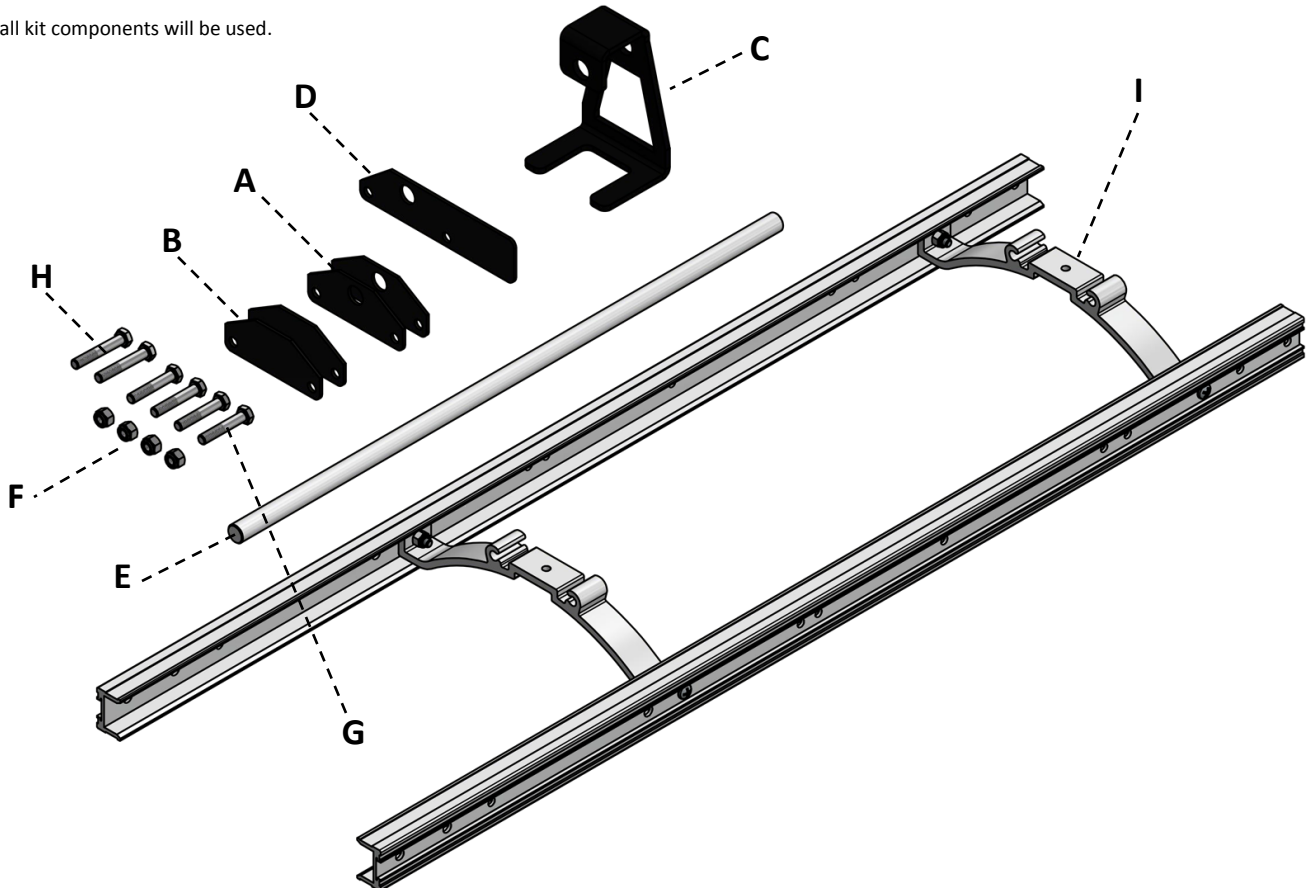
# B5K Sliding Keg Hook Assembly Instructions

Item	Description	Qty.	Part No.
A	Keg Hook Inside Bracket	2	2007-205
B	Keg Hook Bracket	2	2007-206
C	Keg Hook	1	2007-207
D	Keg Hook Holder	1	2007-208
E	Keg Hook Slide	1	2007-702
F	Lock Nut, 5/16-18	4	8001-005
G	Bolt, 5/16-18 x 1 3/4"	4	8007-017
H	Bolt, 5/16-18 x 2"	2	8007-022
I	Frame, Curved Back, Keg Hook	1	2002-101

## Tools Required:

(2) 1/2" Wrench/Socket

\*\*Not all kit components will be used.



\*Handle, frame, nose plate, and wheels will vary based on the options selected at the time of purchase.

www.magcoa.com  
1-800-255-9390

**b·p** Manufacturing

# B5K Sliding Keg Hook Assembly Instructions

1. To build a B5K sliding keg hook frame first attach a keg hook bracket (B) to the bottom of the lower curved cross member and the keg hook holder (D) to the top of the frame (I) with bolts (G) and nuts (F). Slide the keg hook (C) on to the keg hook slide rod (E) and insert it into the hole of the lower keg hook holder bracket. Slide the keg hook inside bracket (A) onto the slide rod, position it on the bottom side of the upper curved cross member, add the second keg hook bracket (B) to the top of the cross member and secure with bolts (G) and nuts (F).
2. For a hand truck with a vertical loop handle, omit the top keg hook bracket (B) and secure the handle thru the cross member with bolts (H) and nuts (F).
3. For a narrow aisle hand truck with stair climbers replace the lower keg hook holder bracket (D) with a keg hook inside bracket (A) to provide clearance for the stair climbers.

