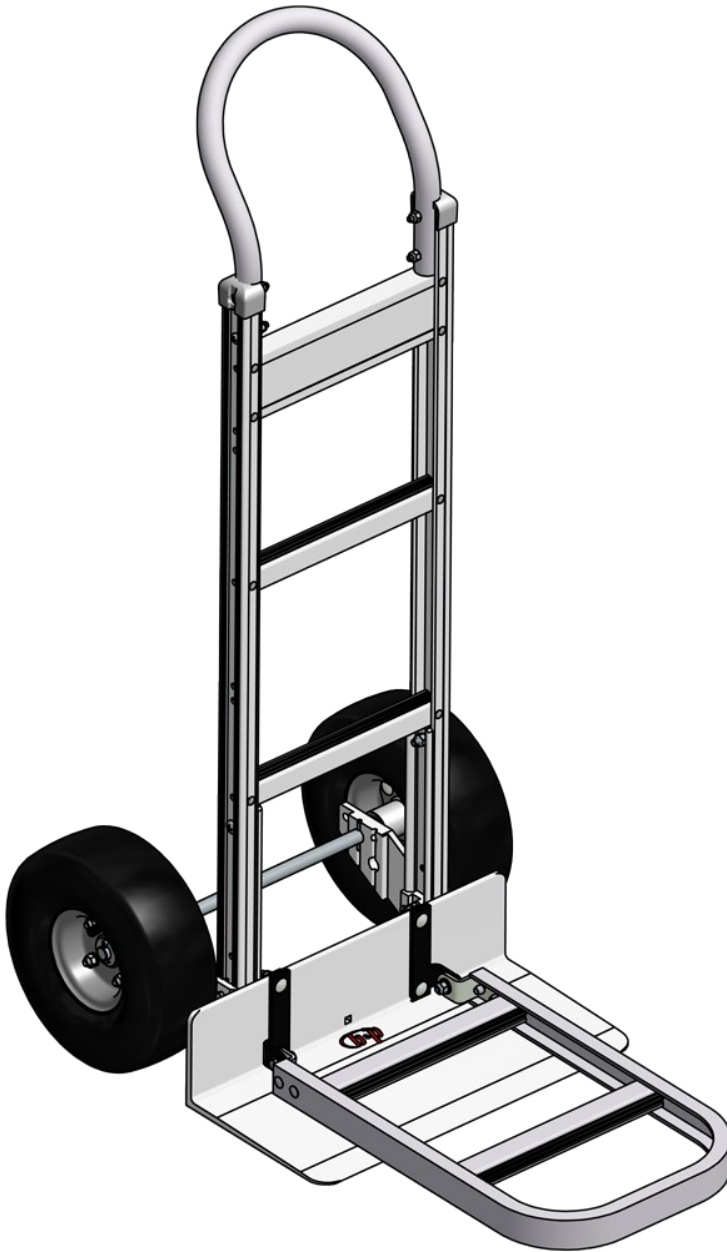


# E2-E3 Folding Nose Assembly Instructions

## Table of Contents:

Rear Mount Folding Nose.....2

Front Mount Folding Nose .....3



\*Handle, frame, nose plate, and wheels will vary based on the options selected at the time of purchase.

[www.magcoa.com](http://www.magcoa.com)  
(800) 255-9390

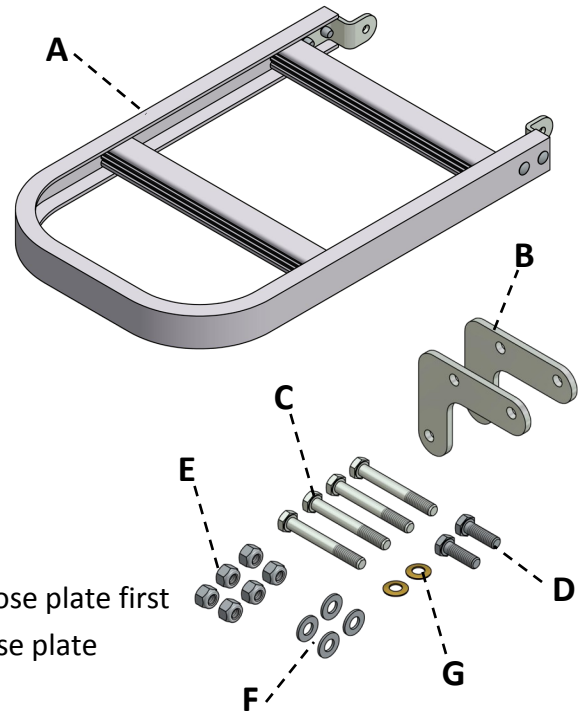


# Rear Mount Folding Nose

Item	Description	Qty.	Part No.
A	Folding Nose	1	Various*
B	Bracket	2	2001-742
C	Bolt, 5/16"-18 x 2-1/2"	4	8007-013
D	Bolt, 5/16"-18 x 1"	2	8007-010
E	Lock Nut, 5/16"-18	6	8001-005
F	Washer, 5/16" Flat	4	8003-005
G	Washer, 5/16" Conical	2	8036-005

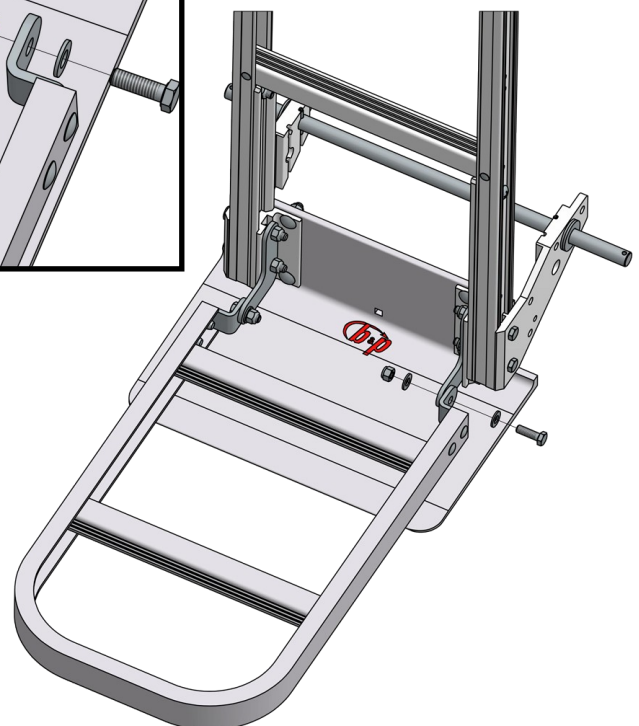
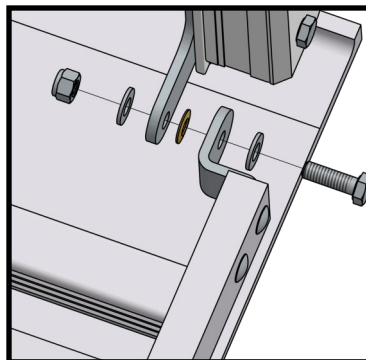
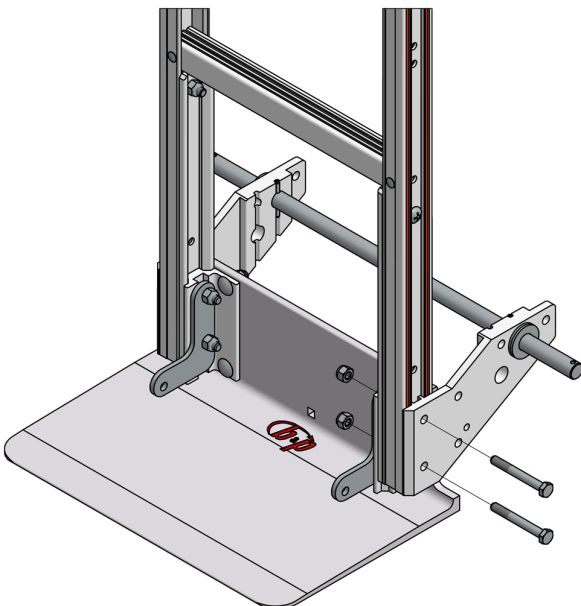
\*Part number will vary based on the option selected at the time of purchase.

- To add a folding nose to your hand truck with a rear mount nose plate first remove both wheels from the axle, providing access to the nose plate fasteners. Set the wheels and washers/cotter pins aside.
- Next remove the nuts/bolts that attach the nose plate to the frame and discard. Attach the folding nose brackets (B) to the inside of the frame with bolts (C) and nuts (E).



## Tools Required:

- (2) 1/2" Wrench/Socket
- (1) Needle nose pliers



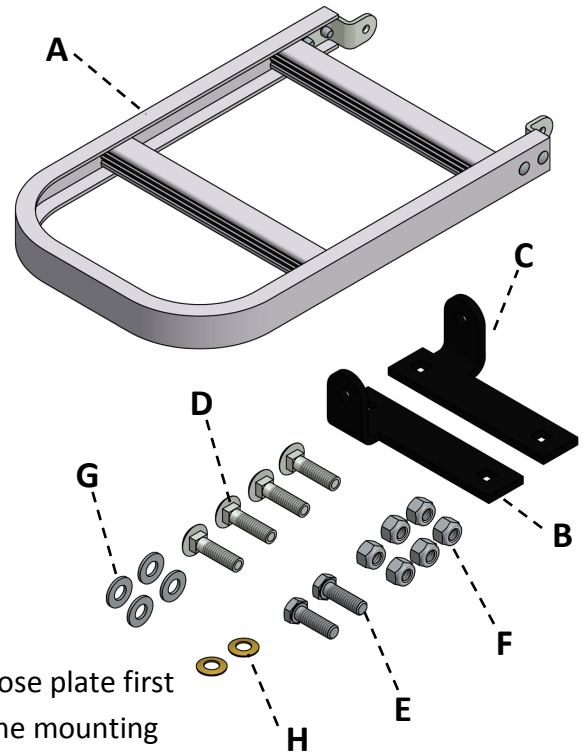
- Attach the folding nose (A) to the outside of the brackets in the order shown: Bolt (D), flat washer (F), folding nose (A), conical washer (G), bracket (B), flat washer (F) and lock nut (E). Repeat on opposite side and tighten.
- Reassemble the wheels with the removed fasteners.

# Front Mount Folding Nose

Item	Description	Qty.	Part No.
A	Folding Nose	1	Various*
B	Bracket, LH	1	2001-743
C	Bracket, RH	1	2001-744
D	Bolt, Carriage 5/16"-18 x 1-1/4"	4	8005-014
E	Bolt, 5/16"-18 x 1"	2	8007-010
F	Lock Nut, 5/16"-18	6	8001-005
G	Washer, 5/16" Flat	4	8003-005
H	Washer, 5/16" Conical	2	8036-005

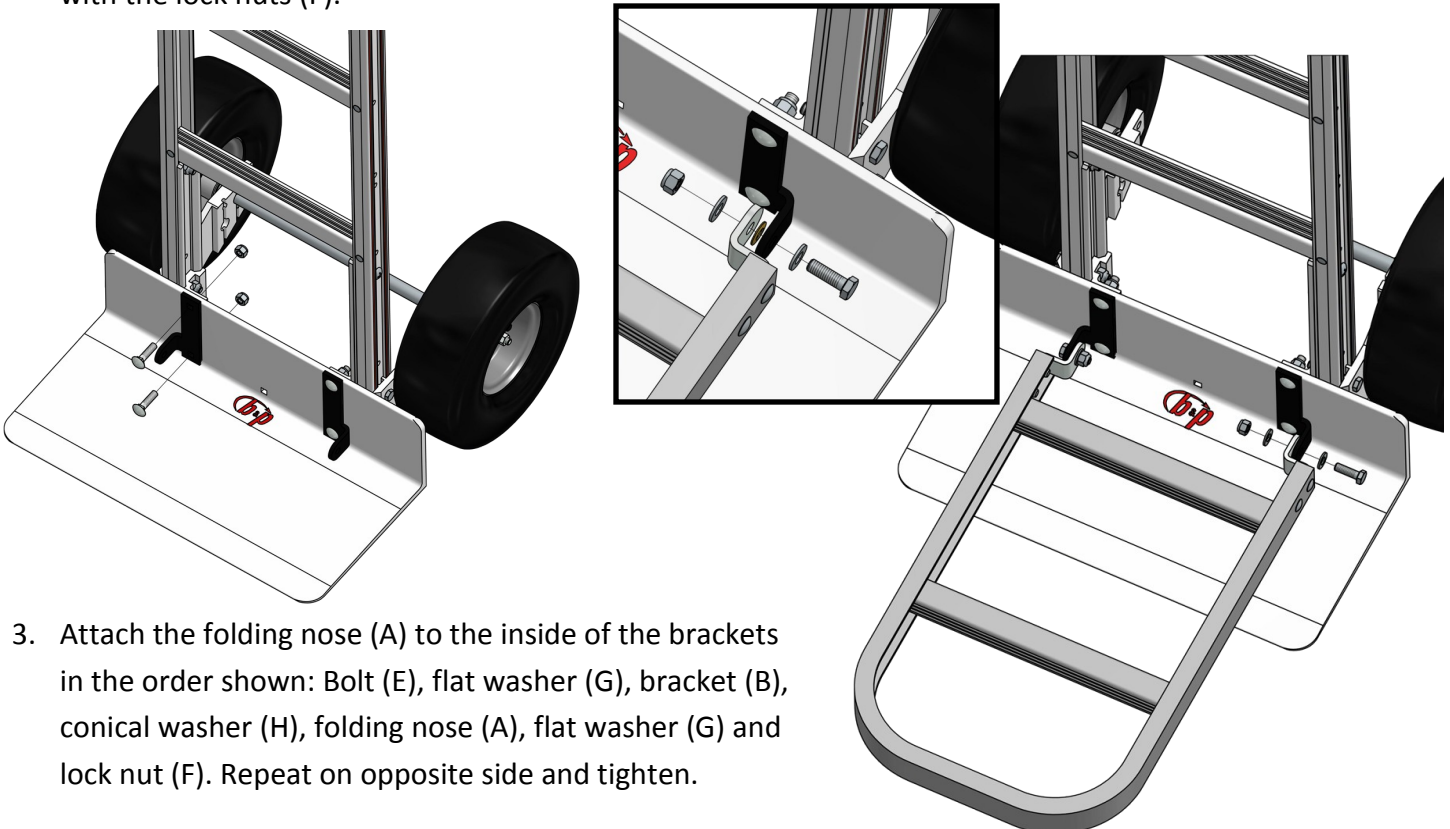
\*Part number will vary based on the option selected at the time of purchase.

- To add a folding nose to your hand truck with a front mount nose plate first remove the nuts/carriage bolts that attach the nose plate to the mounting brackets and discard.
- Attach the folding nose brackets (B and C) to the front of the nose plate with carriage bolts (D) passing thru the nose plate mounting brackets and securing with the lock nuts (F).



### Tools Required:

(2) 1/2" Wrench/Socket



- Attach the folding nose (A) to the inside of the brackets in the order shown: Bolt (E), flat washer (G), bracket (B), conical washer (H), folding nose (A), flat washer (G) and lock nut (F). Repeat on opposite side and tighten.