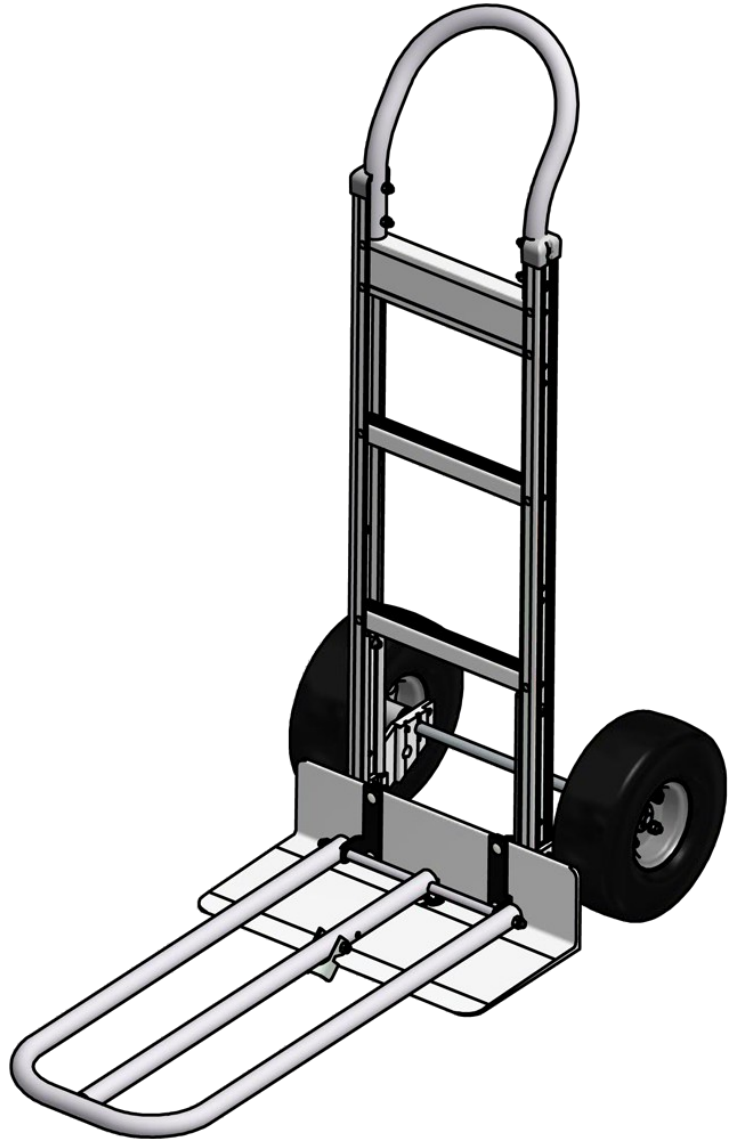


E4-E5-E6 Tubular Folding Nose Assembly Instructions

Table of Contents:

Rear Mount Folding Nose.....2-3

Front Mount Folding Nose4-5



*Handle, frame, nose pate, and wheels will vary based on the options selected at the time of purchase.

www.magcoa.com
(800) 255-9390

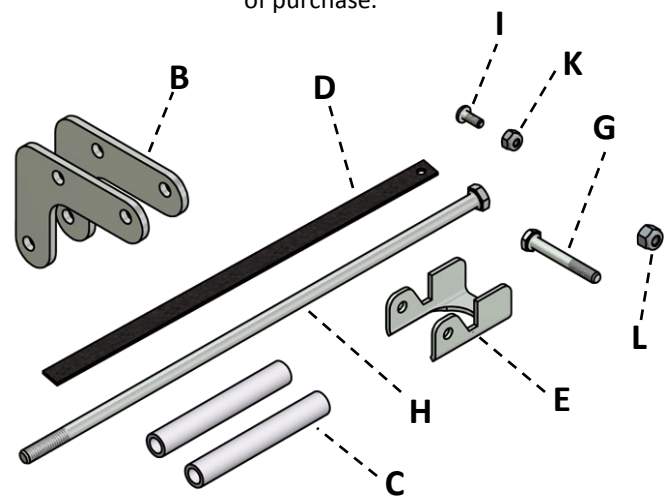
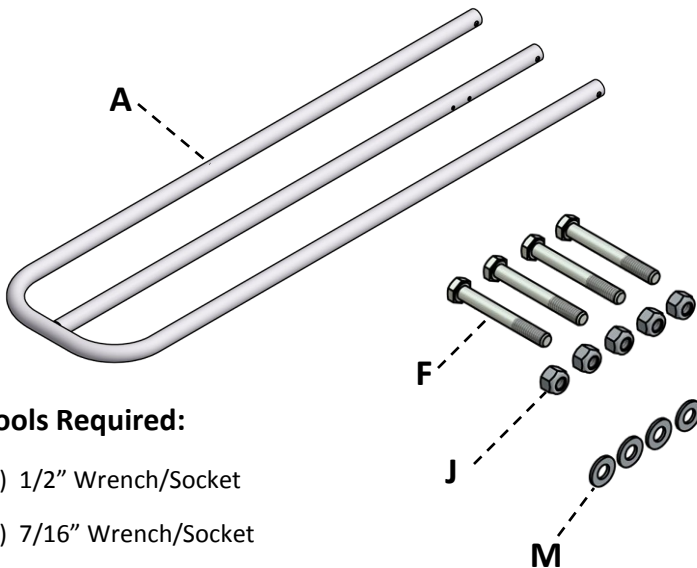


Rear Mount Folding Nose

Item	Description	Qty.	Part No.
A	Folding Nose	1	Various*
B	Bracket	2	2001-742
C	Spacer	2	2001-208
D	Velcro	1	2002-502
E	Lever Latch	1	2450-203
F	Bolt, 5/16"-18 x 2-1/2"	4	8007-013
G	Bolt, 1/4"-20 x 1-3/4"	1	8007-036

Item	Description	Qty.	Part No.
H	Bolt, 5/16"-18 x 12"	1	8007-056
I	Bolt, #10-24 x 1/2"	1	8068-018
J	Lock Nut, 5/16"-18	5	8001-005
K	Lock Nut, #10-24	1	8001-002
L	Lock Nut, 1/4"-20	1	8001-004
M	Washer, 5/16" Flat	4	8003-005

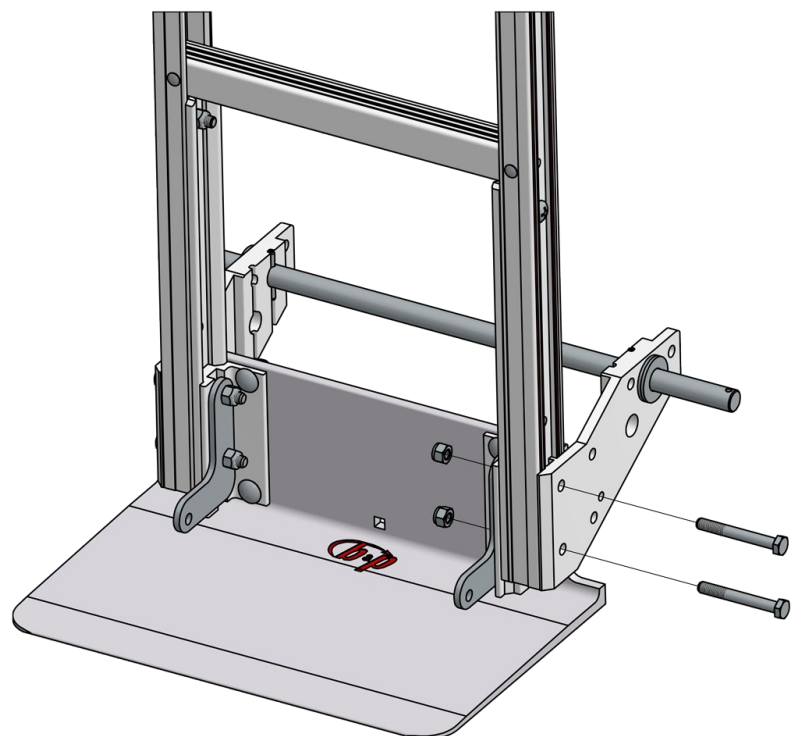
*Part number will vary based on the option selected at the time of purchase.



Tools Required:

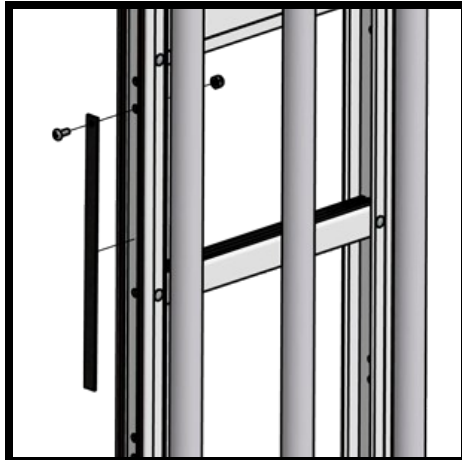
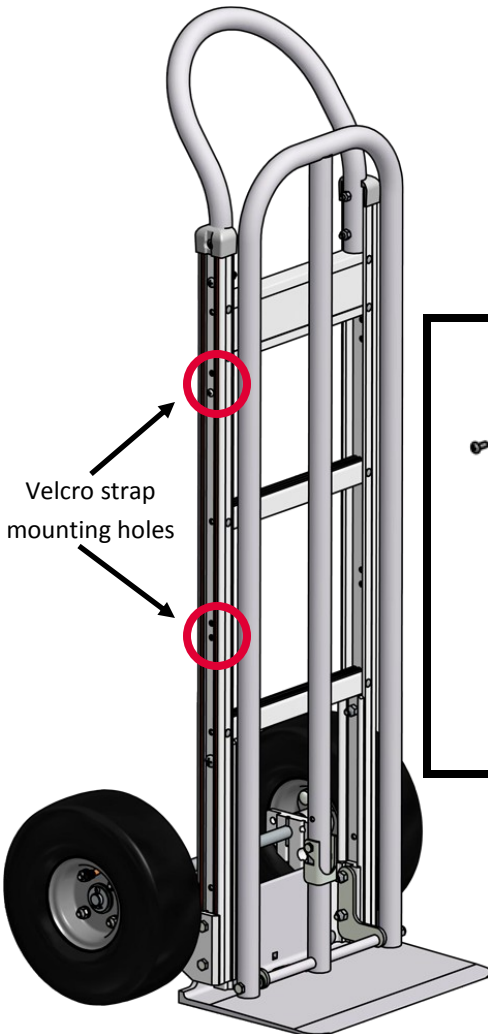
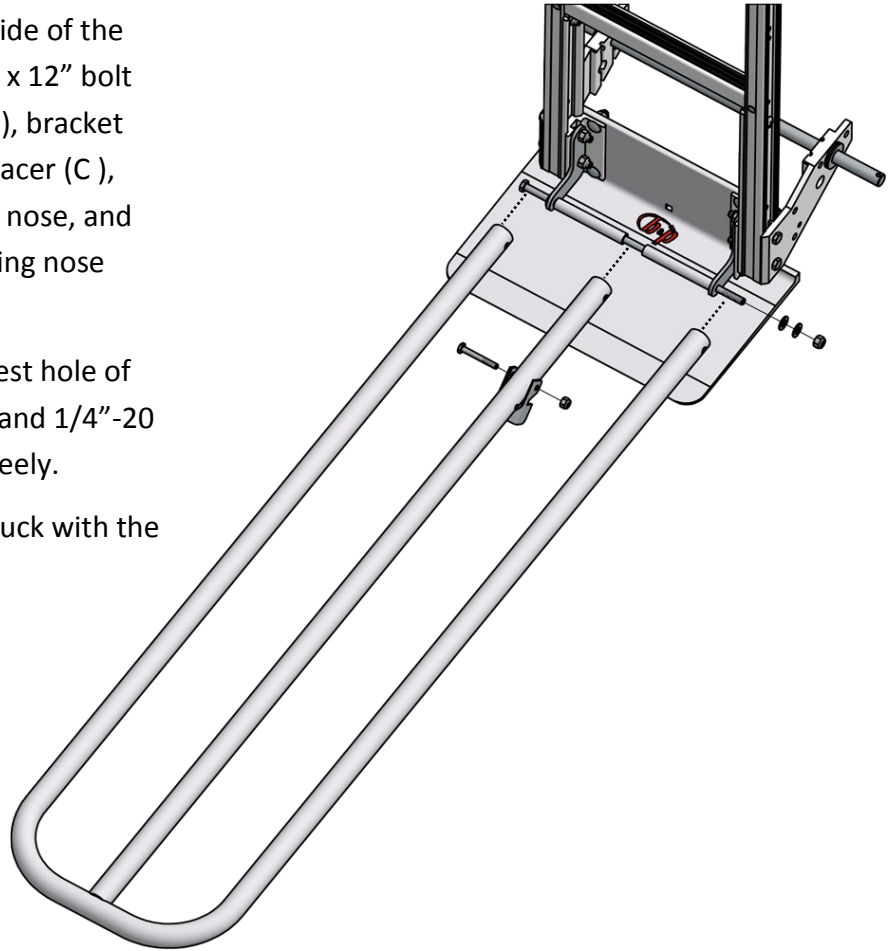
- (2) 1/2" Wrench/Socket
- (2) 7/16" Wrench/Socket
- (1) 3/8" Wrench/Socket
- (1) #2 Phillips screwdriver
- (2) (1) Needle nose pliers

1. To add a folding nose to your hand truck with a rear mount nose plate first remove both wheels from the axle, providing access to the nose plate fasteners. Set the wheels, washers and cotter pins aside.
2. Next remove the nuts/bolts that attach the nose plate to the frame and discard. Attach the folding nose brackets (B) to the inside of the frame with bolts (F) and nuts (J) passing thru the wheel brackets.



Rear Mount Folding Nose

3. Attach the folding nose (A) to the outside of the brackets in the order shown: 5/16"-18 x 12" bolt (H), folding nose (A), 2 flat washers (M), bracket (B), spacer (C), folding nose center, spacer (C), bracket (B), 2 flat washers (M), folding nose, and 5/16"-18 lock nut (J). Tighten, the folding nose should rotate up and down freely.
4. Attach the lever latch (E) thru the closest hole of the folding nose with 1/4"-20 bolt (G) and 1/4"-20 lock nut (L). The latch should rotate freely.
5. Reassemble the wheels on the hand truck with the removed fasteners.

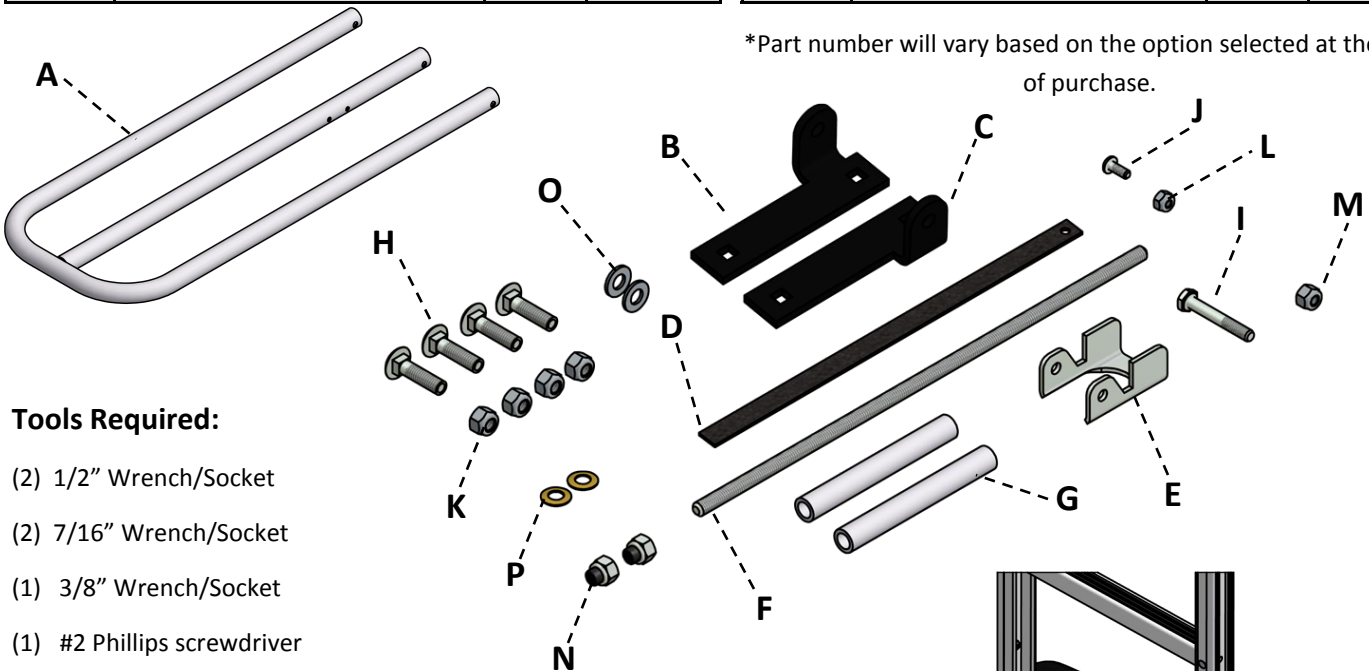


6. Fold up the folding nose to the stored position. Based on the height of the folding nose purchased, select a hole in the frame to attach the Velcro strap.
7. Pass the #10-24 bolt (I) thru the end of the Velcro (D), thru the frame and secure with #10-24 nut (K). Then wrap the Velcro around the folding nose, around the frame and back on to itself, securing the folding nose in the stored position.

Front Mount Folding Nose

Item	Description	Qty.	Part No.	Item	Description	Qty.	Part No.
A	Folding Nose	1	Various*	I	Bolt, 1/4"-20 x 1-3/4"	1	8007-036
B	Bracket, LH	1	2001-743	J	Bolt, #10-24 x 1/2"	1	8068-018
C	Bracket, RH	1	2001-744	K	Lock Nut, 5/16"-18	4	8001-005
D	Velcro	1	2002-502	L	Lock Nut, #10-24	1	8001-002
E	Lever Latch	1	2450-203	M	Lock Nut, 1/4"-20	1	8001-004
F	Rod	1	2001-210	N	Acorn Nut, 5/16"-18	2	8069-005
G	Spacer	2	2001-209	O	Washer, 5/16" Flat	2	8003-005
H	Carriage Bolt, 5/16"-18 x 1-1/4"	4	8005-014	P	Washer, 5/16" Conical	2	8036-005

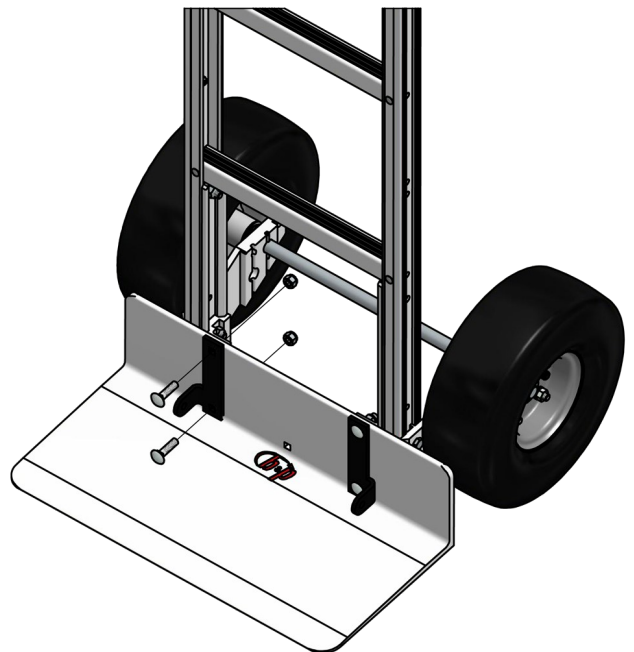
*Part number will vary based on the option selected at the time of purchase.



Tools Required:

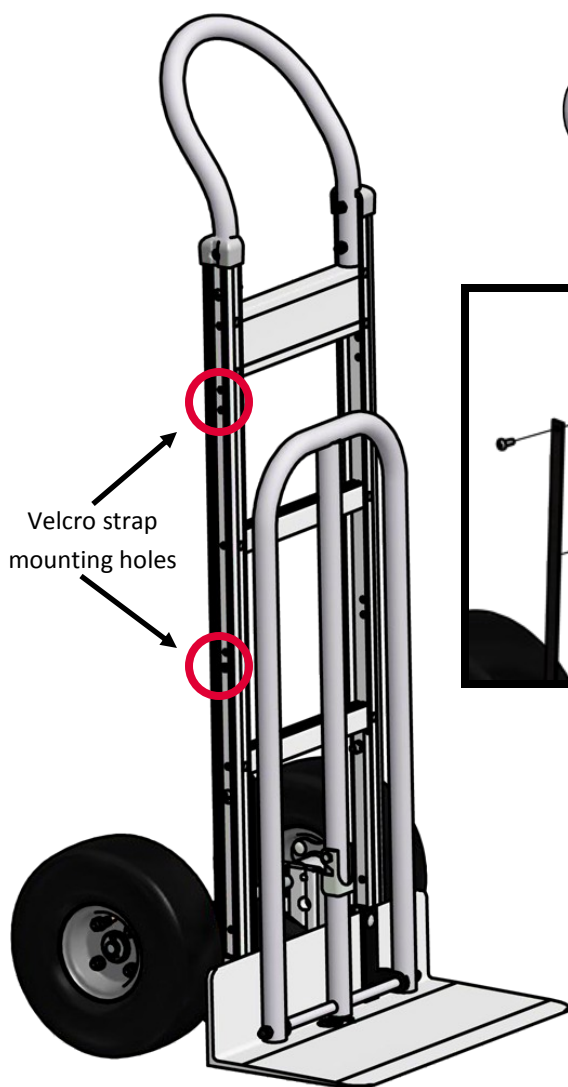
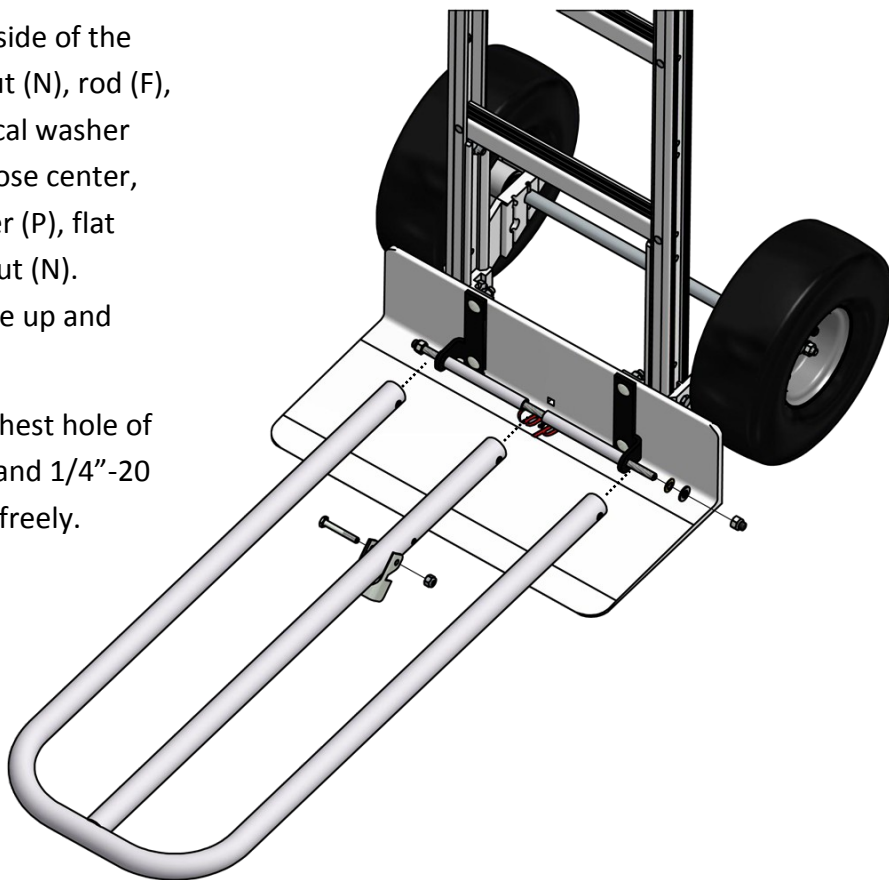
- (2) 1/2" Wrench/Socket
- (2) 7/16" Wrench/Socket
- (1) 3/8" Wrench/Socket
- (1) #2 Phillips screwdriver

1. To add a folding nose to your hand truck with a front mount nose plate first remove the nuts and carriage bolts that attach the nose plate to the mounting brackets and discard.
2. Attach the folding nose brackets (B and C) to the front of the nose plate with carriage bolts (H) passing thru the nose plate mounting brackets and securing with 5/16"-18 lock nuts (K).



Front Mount Folding Nose

3. Attach the folding nose (A) to the outside of the brackets in the order shown: acorn nut (N), rod (F), folding nose (A), flat washer (O), conical washer (P), bracket (B), spacer (G), folding nose center, spacer (G), bracket (C), conical washer (P), flat washer (O), folding nose, and acorn nut (N). Tighten, the folding nose should rotate up and down freely.
4. Attach the lever latch (E) thru the farthest hole of the folding nose with 1/4"-20 bolt (I) and 1/4"-20 lock nut (M). The latch should rotate freely.



6. Fold up the folding nose to the stored position. Based on the height of the folding nose purchased, select a hole in the frame to attach the Velcro strap.
7. Pass the #10-24 bolt (J) thru the end of the Velcro (D), thru the frame and secure with #10-24 nut (L). Then wrap the Velcro around the folding nose, around the frame and back on to itself, securing the folding nose in the stored position.