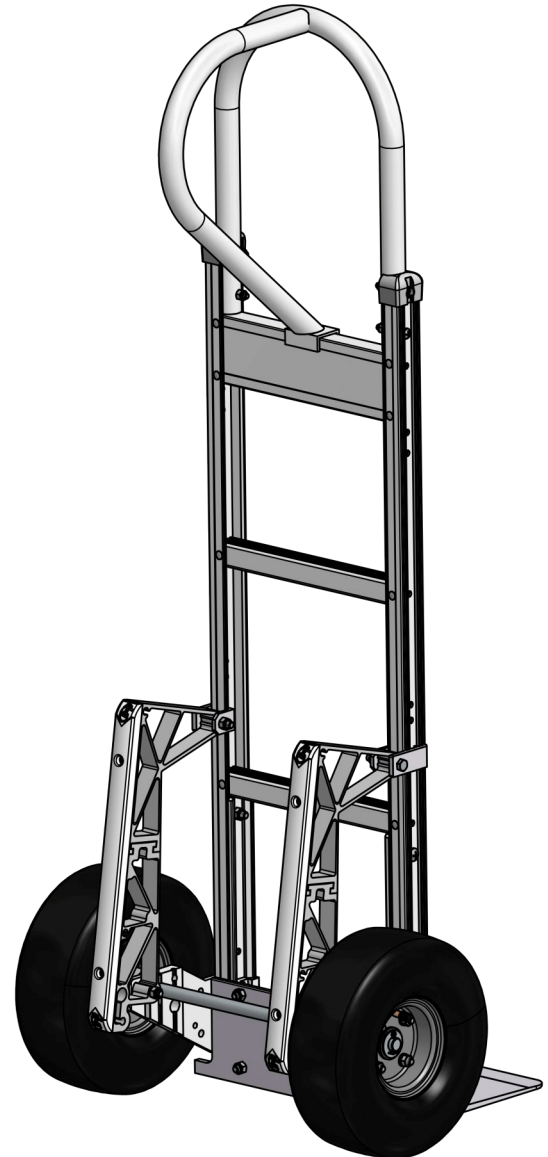
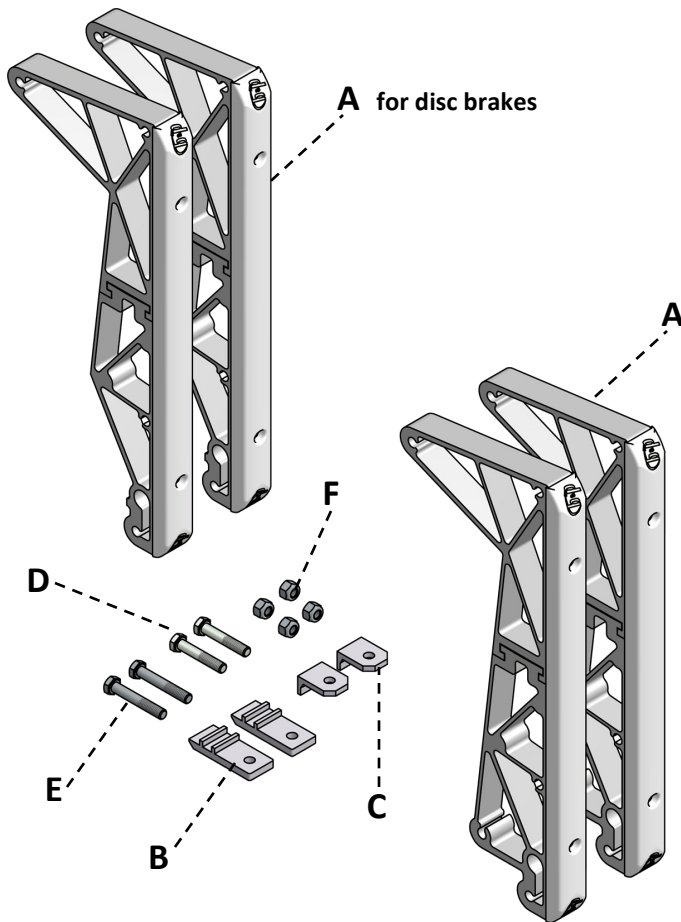


# Ergonomic Stair Climber Assembly Instructions

Item	Description	Qty.	Part No.
A	E1E Stair Climber or E1EB Stair Climber for Disc Brakes	2	2002-421 or 2002-422
B	Clip, Outer Stair Climber	2	2002-725
C	Clip, Inner Stair Climber	2	2001-739
D	Bolt, 5/16"-18 x 1-3/4"	2	8007-017
E	Bolt, 5/16"-18 x 2"	2	8007-022
F	Lock Nut, 5/16"-18	4	8001-005

## Tools Required:

- (2) 1/2" wrench/socket
- (1) Needle nose pliers



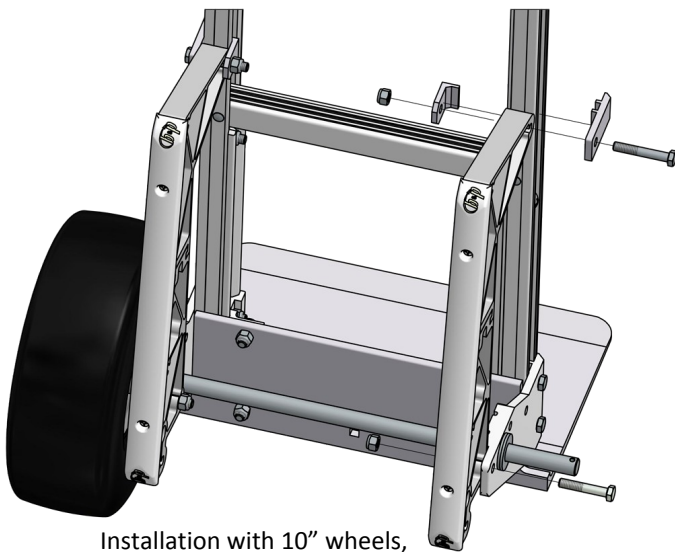
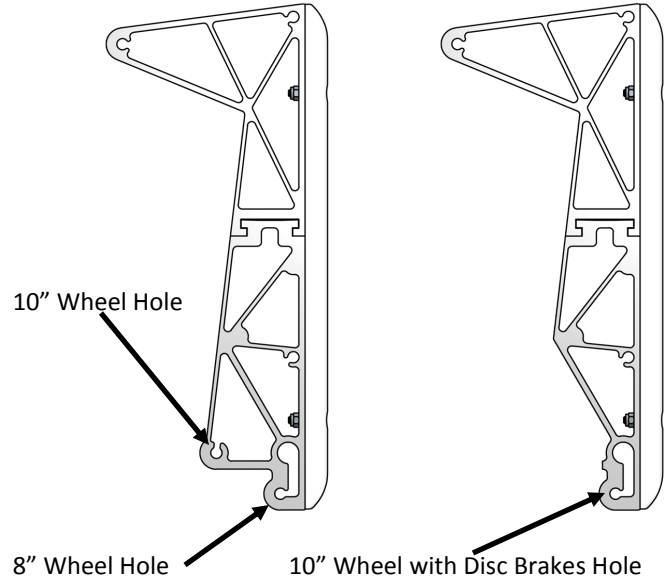
\*Handle, frame, nose plate, and wheels will vary based on the options selected at the time of purchase.

www.magcoa.com  
(800) 255-9390

**b&p Manufacturing**  
Engineered Delivery Products

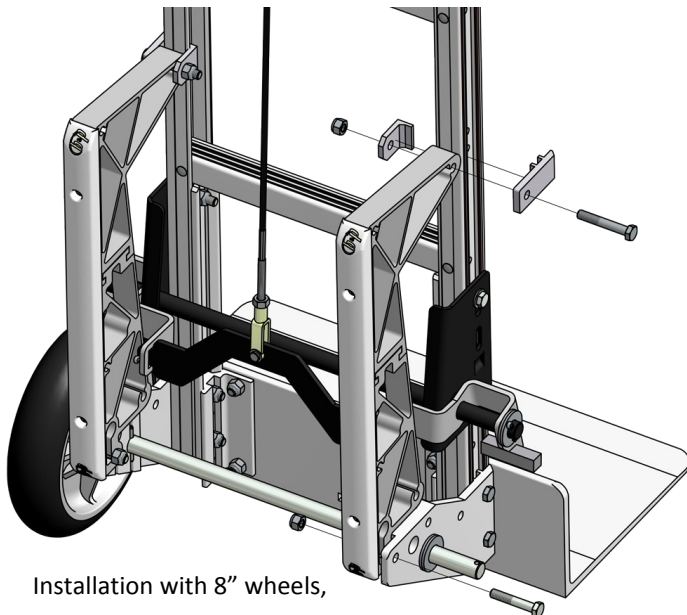
# Ergonomic Stair Climber Assembly Instructions

1. To add stair climbers to your hand truck first remove the wheels and set aside.
2. Fasten the lower end of the stair climber (A) to the inside of the wheel bracket, using the hole specified for your wheel size. For disc brake hand trucks fasten the stair climber to the outside of the axle bracket. Secure the stair climber with 1-3/4" bolts (D) and lock nuts (F).

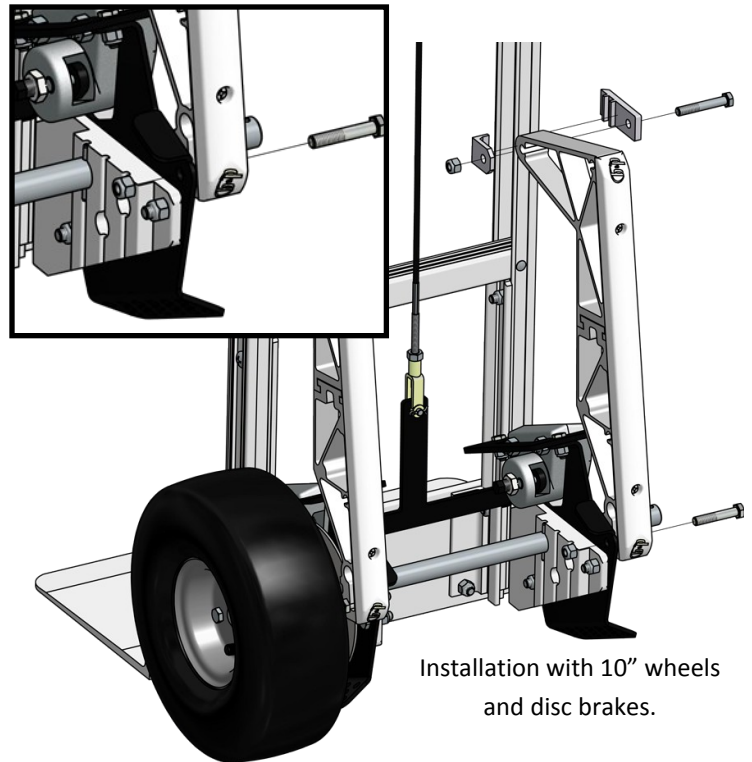


Installation with 10" wheels, with or without tread brakes.

3. Fasten the top of the stair climber (A) to the frame using the outer clip (B) (sliding the clip tabs into the frame channel) and the inner clip (C) securing with the 2" bolt (E) and lock nut (F). Tighten and repeat on opposite side.
4. Reattach wheels.



Installation with 8" wheels, with or without tread brakes.



Installation with 10" wheels and disc brakes.