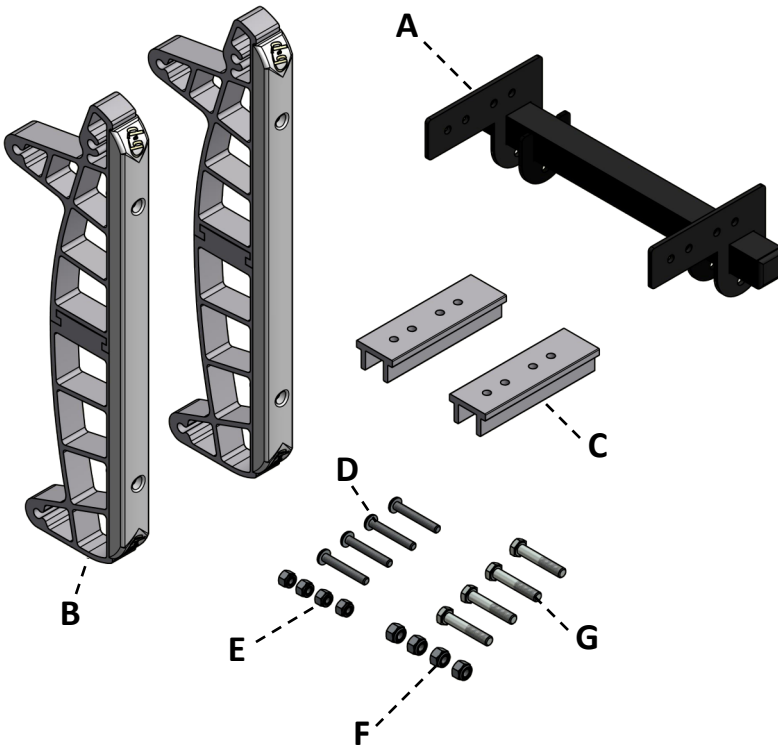


Narrow Aisle E1L Stair Climber Assembly Instructions

Item	Description	Qty.	Part No.
A	Narrow Aisle Upper Mount Bracket	1	2006-133
B	Stair Climber Assembly, E1L	2	2002-131
C	Narrow Aisle Upper Mount Spacer	2	2006-712
D	Screw, 1/4-20 x 1 3/4"	4	8068-003
E	Lock Nut, 1/4-20	4	8001-004
F	Lock Nut, 5/16-18	4	8001-005
G	Bolt, 5/16-18 x 1 3/4"	4	8007-017

Tools Required:

- (2) 1/2" Wrench/Socket
- (1) 7/16" Wrench/Socket
- (1) #2 Phillips Screwdriver
- (1) Needle Nose Pliers



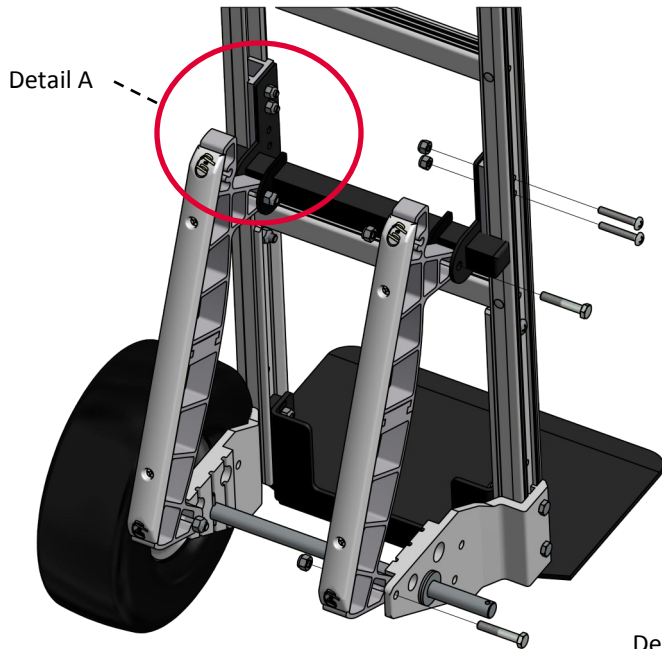
*Handle, frame, nose plate, and wheels will vary based on the options selected at the time of purchase.

www.magcoa.com
(800) 255-9390



Narrow Aisle E1L Stair Climber Assembly Instructions

1. To install the narrow aisle upper mount bracket (A) place the narrow aisle spacer (C) into the frame channel followed by the upper mount bracket (A). Note that the mounting locations for 8" and 10" wheels is different. Use Detail A for 10" wheels and Detail B for 8" wheels. Fasten with screws (D) and locknuts (E) but leave loose until the stair climbers (B) are installed in Step 3.
2. To install the stair climbers (B), first remove the wheels and set aside. Note stair climber orientation.
3. Fasten the lower end of the stair climber (B) to the inside of the wheel bracket and the upper end of the stair climber to the narrow aisle mount bracket (A). Secure the stair climber with 1-3/4" bolts (G) and lock nuts (F).



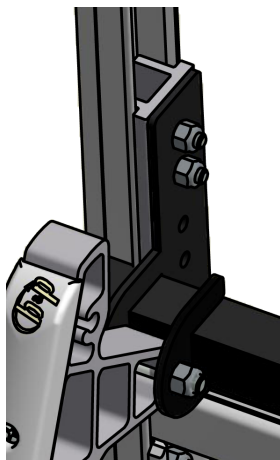
Installation with 10" wheels

4. Tighten the screws (D) and lock nuts (E) left loose from Step 1.

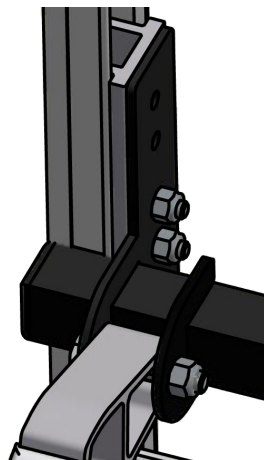
5. Reattach wheels.



Installation with 8" wheels



Detail A



Detail B