

Tread Brake Assembly Instructions



Table of Contents:

Lower Brake Components	2-4
Cable Brake Assembly:	
Brake Handle Components	5-7
Cable Assembly	8
Tee Handle Brake Assembly	9-10
Brake Adjustments	10

*Handle, frame, nose pate, and wheels will vary based on the options selected at the time of purchase.

www.magcoa.com
(800) 255-9390

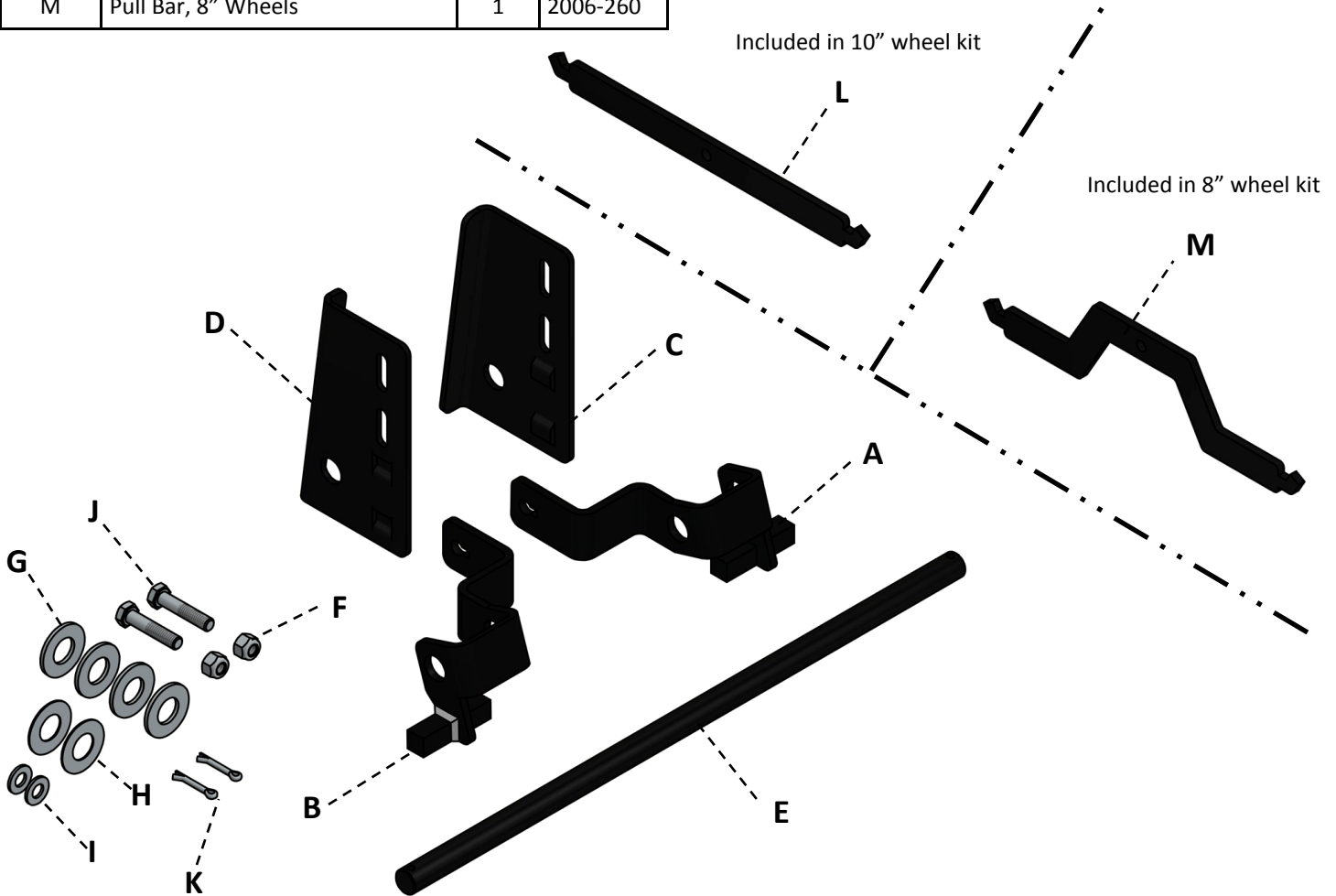
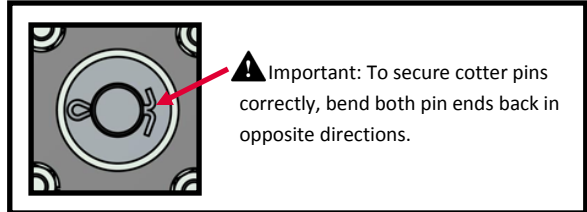


Lower Brake Components

Item	Description	Qty.	Part No.
A	Tread Brake Shoe, LH	1	2006-137
B	Tread Brake Shoe, RH	1	2006-138
C	Mount Plate, LH	1	2006-203
D	Mount Plate, RH	1	2006-204
E	Tread Brake Axle	1	2006-207
F	Nut, 5/16"-18	2	8001-005
G	Thick Washer, 5/8"	4	8003-010
H	Thin Washer, 5/8"	2	8078-010
I	Washer, 5/16"	2	8003-005
J	Hex Head Bolt, 5/16"-18 x 1-1/2"	2	8007-020
K	Cotter Pin	2	8008-003
L	Pull Bar, 10" Wheels	1	2006-255
M	Pull Bar, 8" Wheels	1	2006-260

Tools Required:

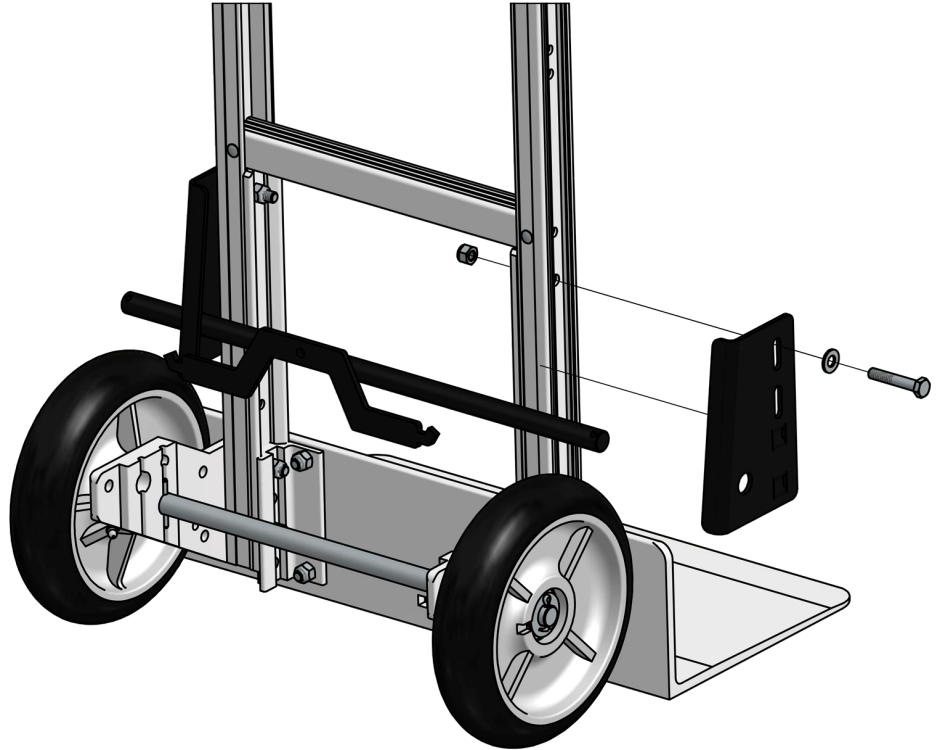
- (2) 1/2" wrench/socket
- (1) Needle nose pliers
- (1) Tape measure



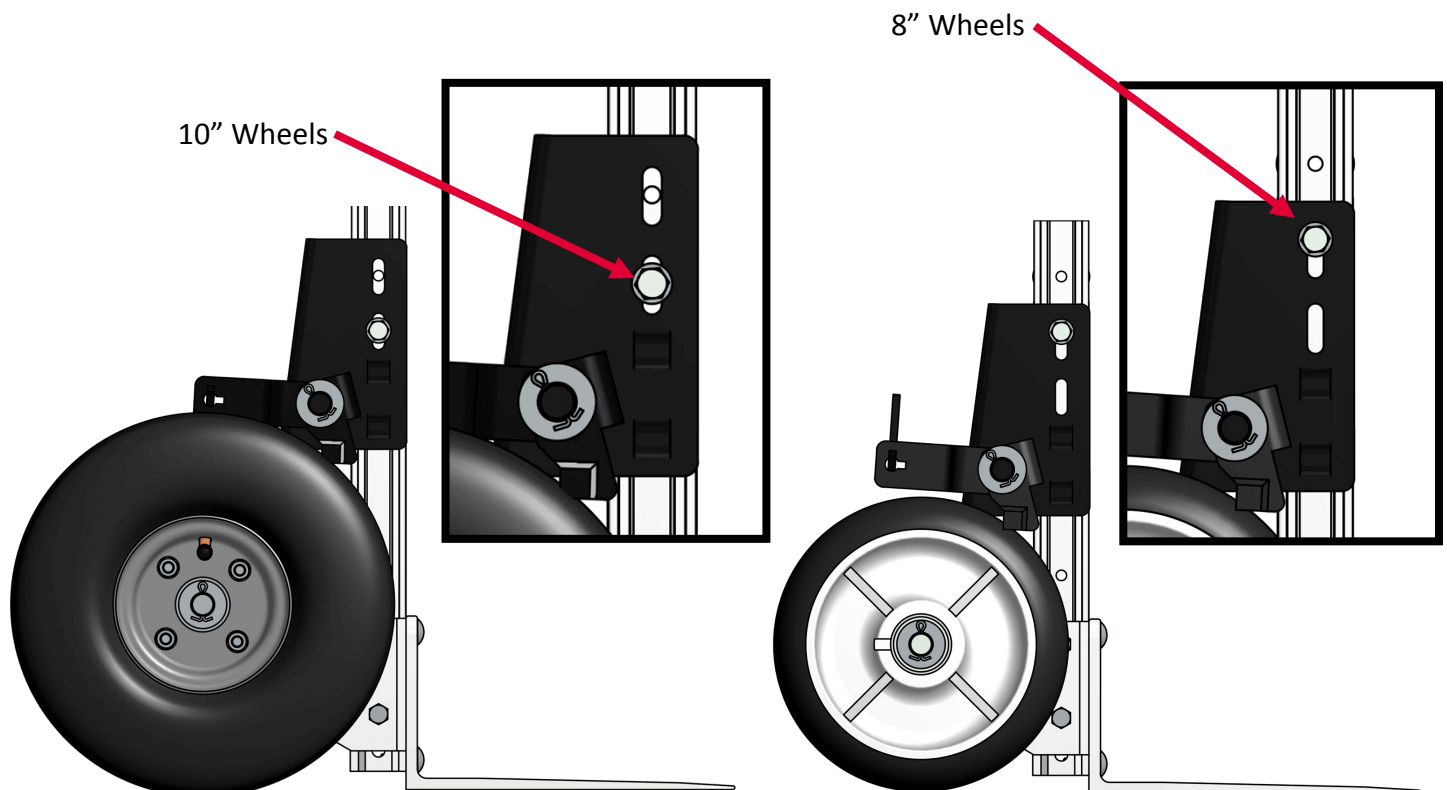
Lower Brake Components

1. To add tread brakes to your hand truck remove the nuts and bolts from the top hole of the stiffener channel/frame and discard.

*Note: Installation will vary between 8" and 10" wheels.

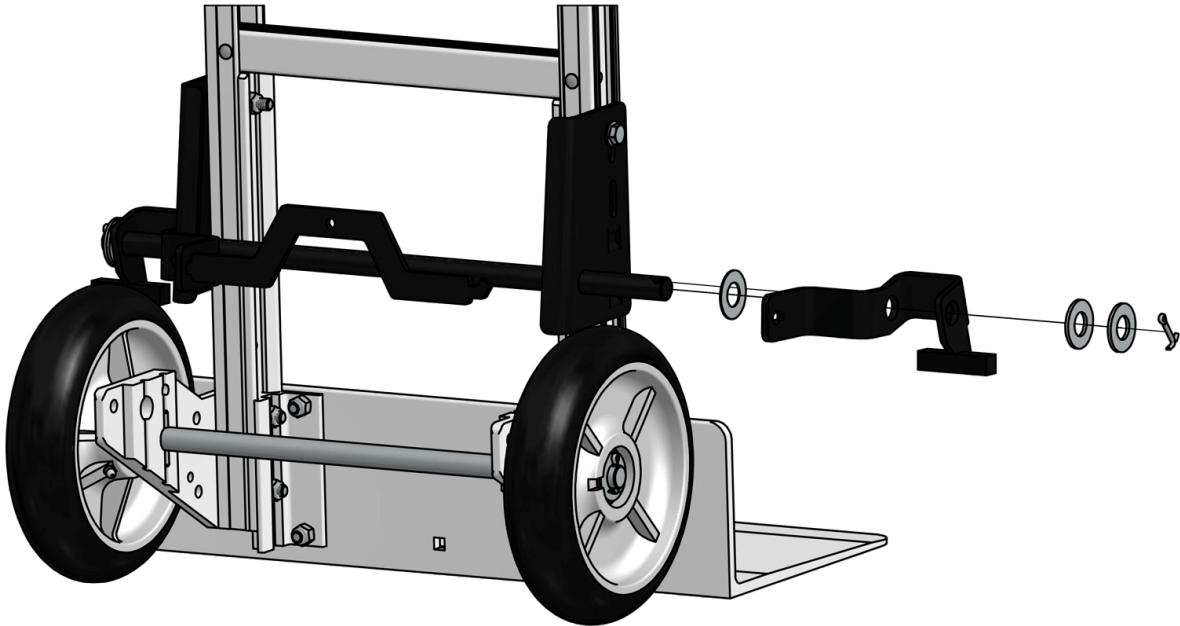


2. Attach the RH and LH brake mount plates (C, D) to the outside of the frame, mounting through the upper stiffener channel with nuts (F) and bolts (J), do not tighten completely. For 8" wheels use the upper slot in the mounting plate, for 10" wheels use the lower slot.

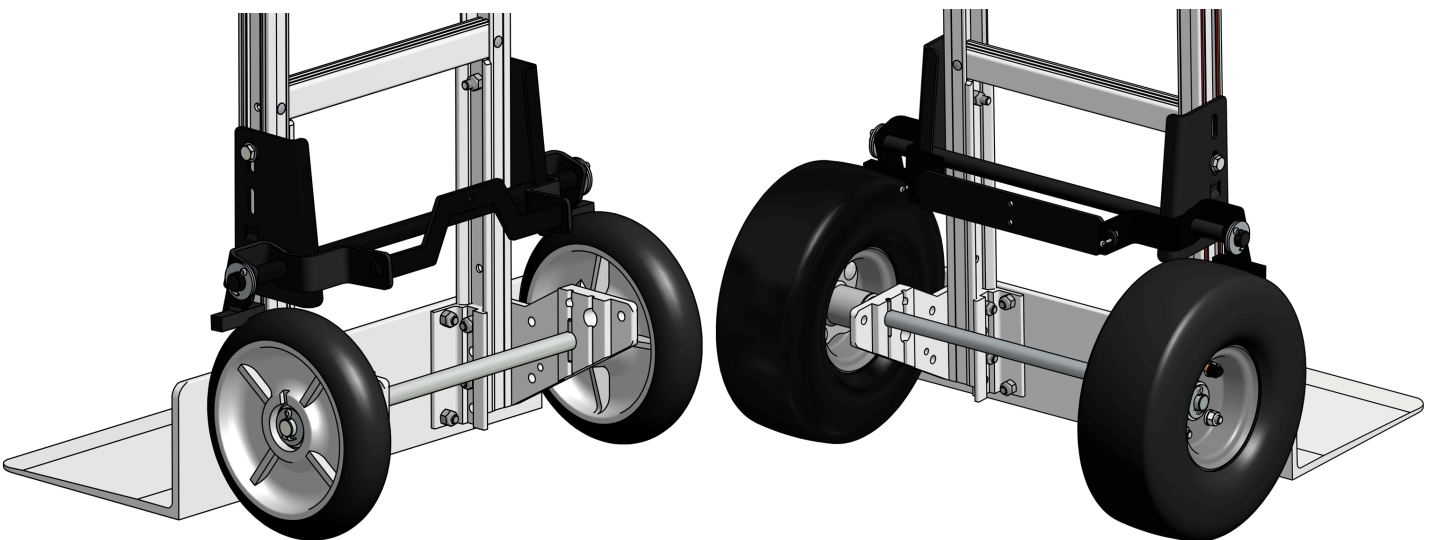


Lower Brake Components

3. Pass the tread brake axle (E) thru both mounting plates. Assemble the left side shoe; slide 1 thin washer (H), the LH brake shoe (A), and 2 thick washers (G) on to the left side of the brake axle, secure with a cotter pin (K). Repeat for the right side shoe (B), omitting the cotter pin until later.



4. Slide the brake shoes apart enough to insert the pull bar (L or M) between the mounting tabs on the brake shoes. Then secure the right side of the brake axle with a cotter pin (K).

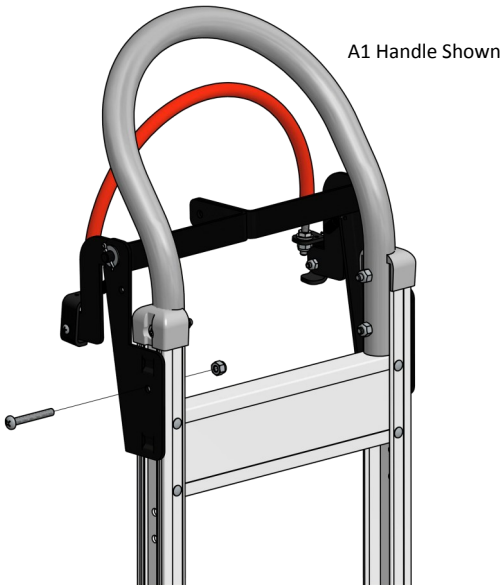
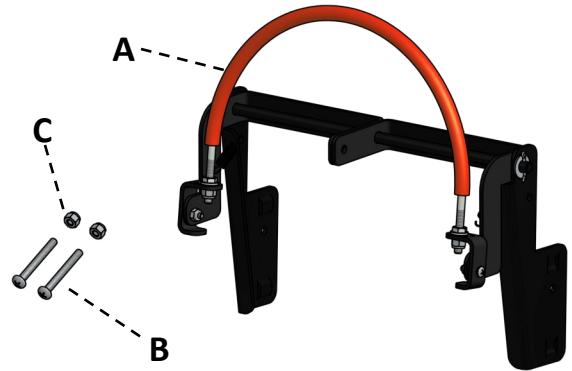


5. Lastly adjust the mounting plate height until brake shoes are 1/16" from each wheel and tighten mounting bolts.

Cable Brake Handle Components

Loop Handles

Item	Description	Qty.	Part No.
A	Loop Handle Brake Assembly	1	2006-109
B	Pan Head Screw, 1/4"-20 x 2-1/4"	2	8068-014
C	Lock Nut, 1/4"-20	2	8001-004



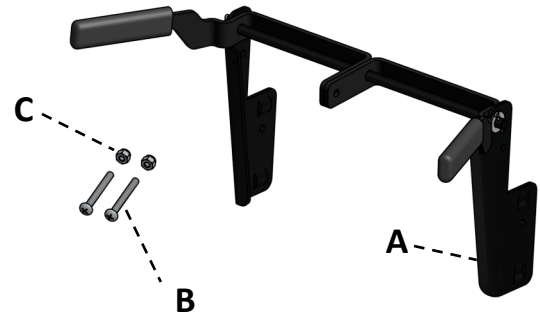
Tools Required:

- (1) #2 Phillips screwdriver
- (1) 7/16" wrench/socket

1. Remove existing handle fasteners from the 2 lower holes of handle/frame and discard.
2. Secure loop handle brake assembly (A) to frame/handle using 1/4"-20 x 2-1/4" screws (B) and nuts (C) provided, aligning the mount plate in the frame channel and adjusting the height of the grip as needed.

Double Grip Handles

Item	Description	Qty.	Part No.
A	Double Grip Handle Brake Assembly	1	2006-105
B	Pan Head Screw, 1/4"-20 x 2-1/4"	2	8068-014
C	Lock Nut, 1/4"-20	2	8001-004



Tools Required:

- (1) #2 Phillips screwdriver
- (1) 7/16" wrench/socket

1. Remove existing handle fasteners from the 2 lower holes of handle/frame and discard.
2. Secure double grip handle brake assembly (A) to frame/handle using 1/4"-20 x 2-1/4" screws (B) and nuts (C) provided, aligning the mount plate in the frame channel and adjusting the height of the grip as needed.