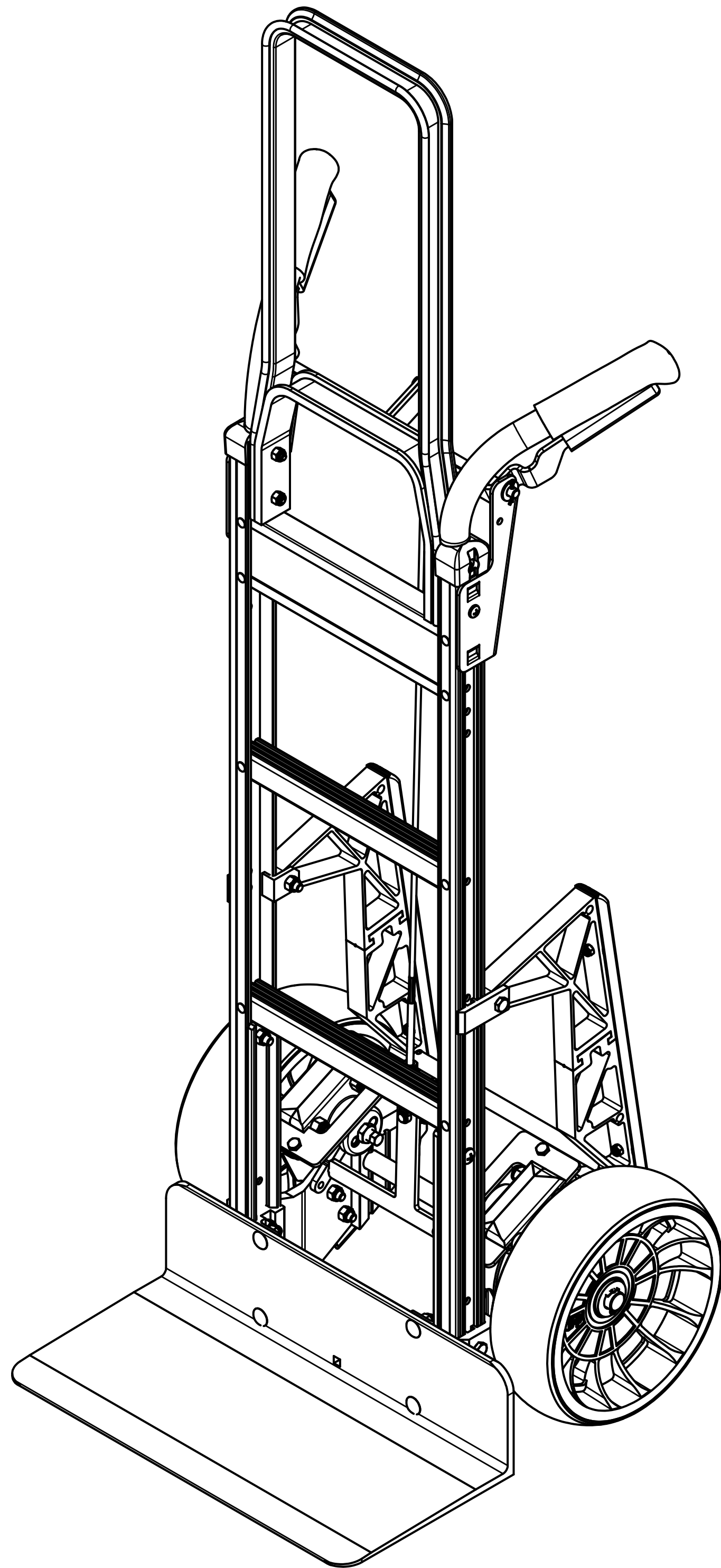


**A11-B1-C6-D6SS-E60-E1EB-E46E-BDC
MAGCOA HAND TRUCK**

SHEET 1 OF 4

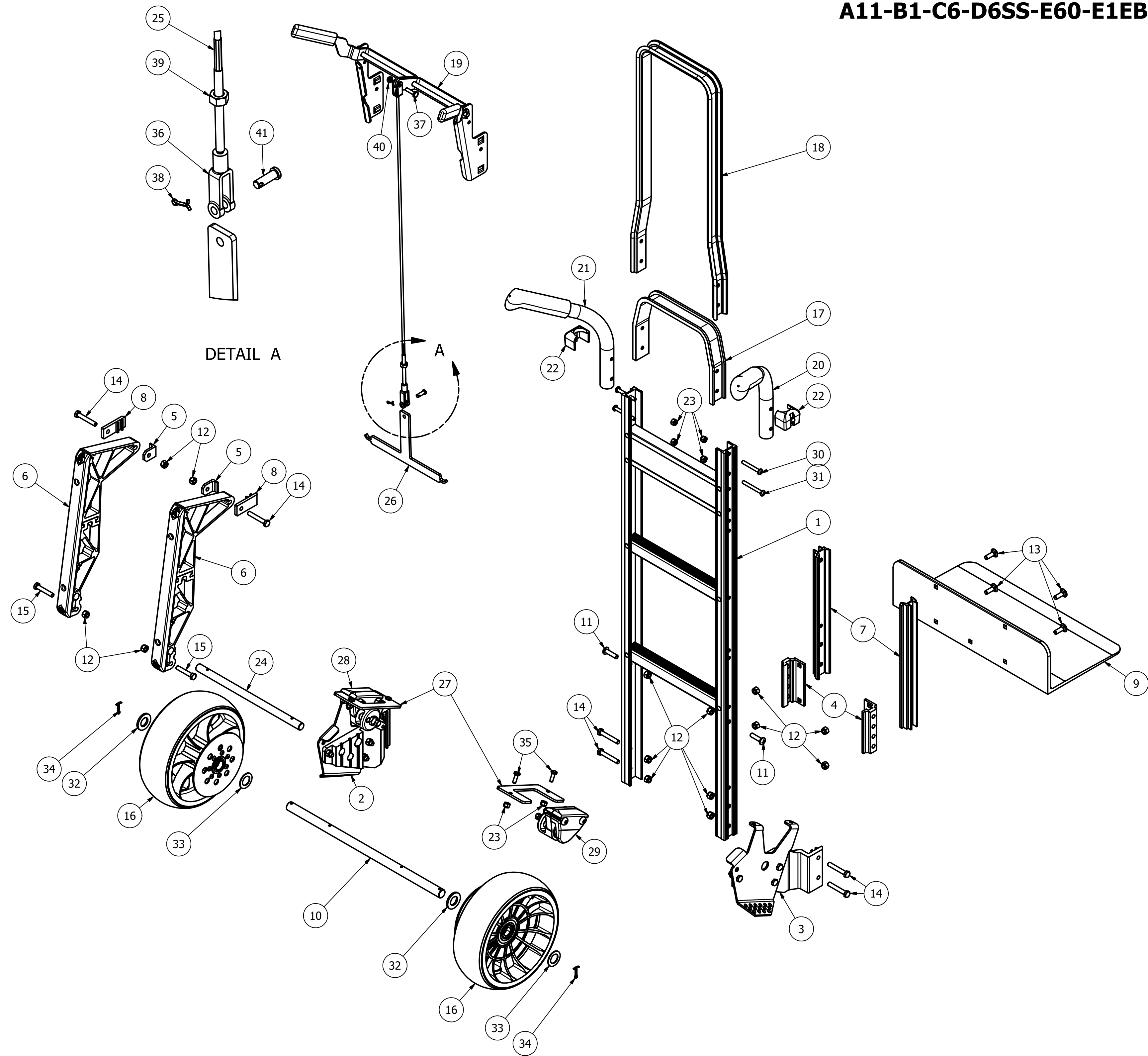


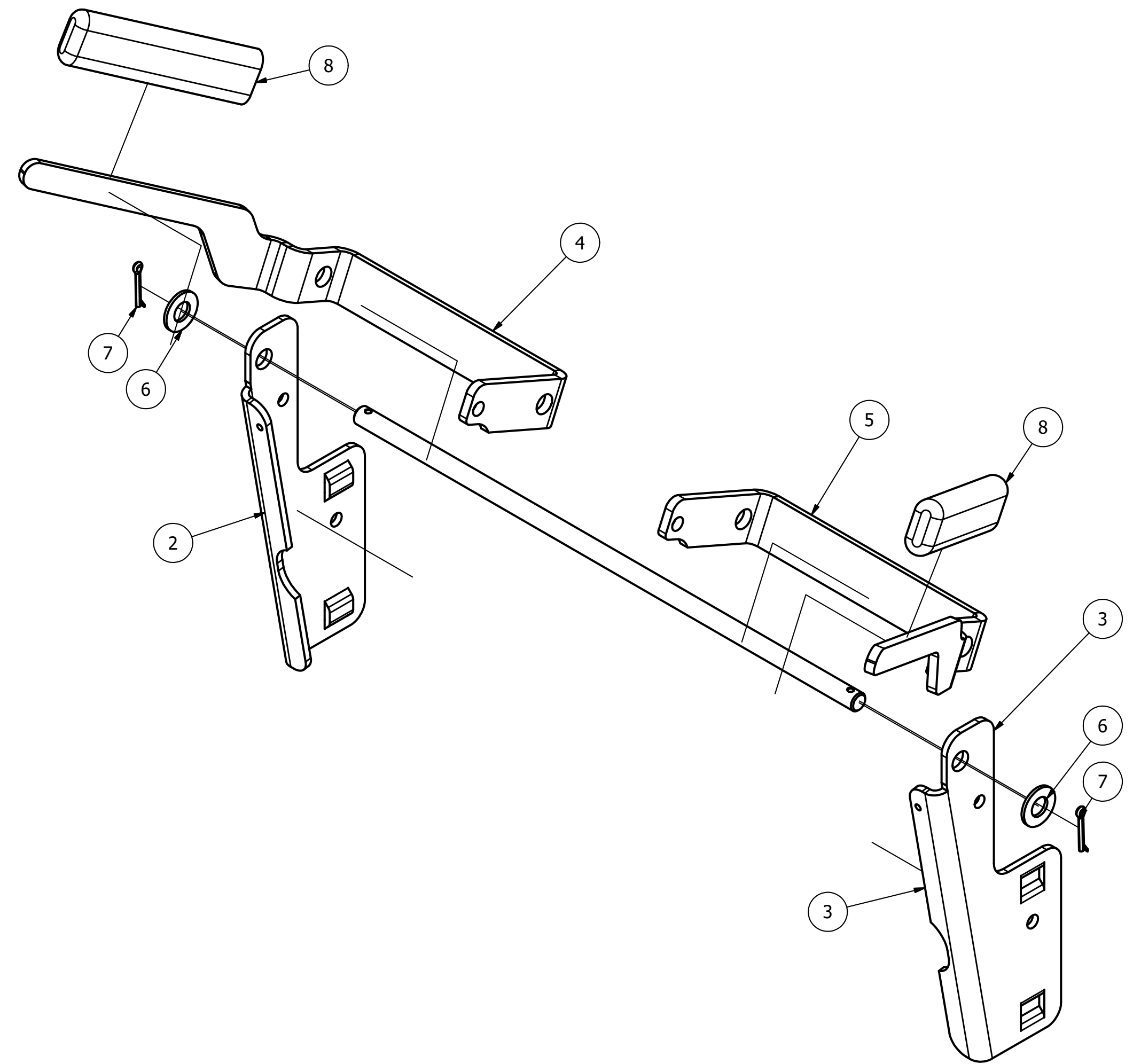
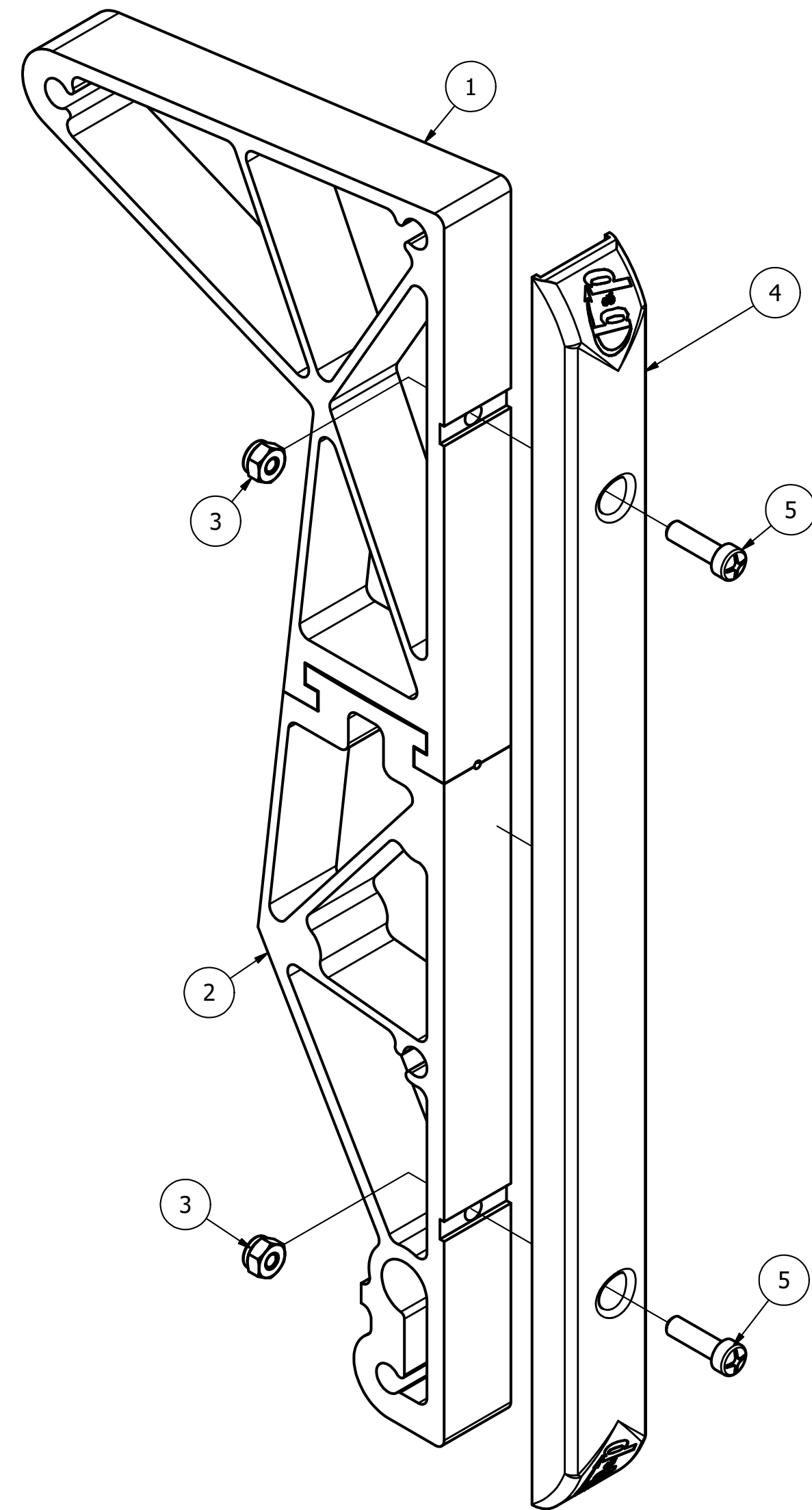
800-255-9390 a UAW UAW



41	1	8211-003	CLEVIS PIN, Ø1/4" X 5/8" GRIP ZINC PLATED STEEL
40	1	8055-004	NUT, JAM LOCK 1/4-20 NYLOCK NE ZNC
39	1	8020-004	NUT, HEX 1/4-20 ZINC PLTD
38	1	8008-003	COTTER PIN, Ø3/32 X 1/2" - ZINC PLATED STEEL
37	1	8007-002	HHCS, 1/4-20 X 1" - GR 5 ZINC PLATED
36	1	8217-002	YOKE, FEMALE THREADED 1/4-20 X 2", ZINC PLATED STEEL
35	4	8007-003	HHCS, 1/4-20 X 3/4 - GR 5, ZINC PLATED
34	2	8008-001	COTTER PIN, Ø1/8 X 1" - ZINC PLATED STEEL
33	2	8078-013	WASHER, THIN, Ø3/4"
32	2	8003-013	WASHER, FLAT 3/4 SAE ZINC PLTD
31	2	8068-014	SCREW, 1/4-20 X 2-1/4 PAN HEAD PHILLIPS MACHINE SCREW - ZINC PLATED
30	2	8068-004	SCREW, 1/4-20 X 2" PAN HEAD PHILLIPS MACHINE SCREW - ZINC PLATED
29	1	8227-002	CALIPER, MECHANICAL, RH
28	1	8227-001	CALIPER, MECHANICAL, LH
27	2	2006-702	CALIPER LOOP
26	1	2006-249	PULL BAR, DISC BRAKE, CABLE
25	1	2006-116	BRAKE CABLE, A11 STYLE
24	1	2002-282	KICK BAR AXLE
23	8	8001-004	NYLON-INSERT LOCKNUT, 1/4-20 - ZINC PLATED STEEL
22	2	8226-001	END CAP, FRAME, GRAY
21	1	2002-107	HANDLE, DOUBLE GRIP LH, A11
20	1	2002-118	HANDLE, DOUBLE GRIP RH, A11
19	1	2006-105	A11 HANDLE GRIP ASSEMBLY
18	1	2002-E60	FRAME EXTENSION, 60"
17	1	2002-E45	U-BRACE
16	2	8023-057	WHEEL, D6SS, DISC BRAKE - 10" X 3"
15	2	8007-017	BOLT, HHCS 5/16-18 X 1-3/4" GR 5 ZINC PLTD
14	6	8007-022	BOLT, HHCS 5/16-18 X 2" GR 5 ZINC PLTD
13	4	8005-009	BOLT, CARRIAGE 5/16-18 X 1 GR5 ZINC PLTD
12	14	8001-005	NYLON-INSERT LOCKNUT, 5/16-18 - ZINC PLATED STEEL
11	2	8068-005	SCREW, 5/16-18 X 1-1/4 PAN HEAD PHILLIPS MACHINE SCREW - ZINC PLATED
10	1	2006-223	3/4" SOLID AXLE
9	1	2002-709	NOSEPLATE, 18 X 9 (C6)
8	2	2002-725	CLIP, OUTSIDE, STAIRCLIMBER
7	2	2002-733	SIDE CHANNEL REINFORCEMENT
6	2	2002-422	STAIR CLIMBER ASSEMBLY, E1EB
5	2	2001-739	CLIP, STAIRCLIMBER
4	2	2001-740	NOSE PLATE MOUNTING BRACKET
3	1	2006-120	WHEEL BRACKET ASSEMBLY, RH
2	1	2006-119	WHEEL BRACKET ASSEMBLY, LH
1	1	2002-B1	FRAME, STRAIGHT BACK
ITEM	QTY	PART NUMBER	DESCRIPTION

PARTS LIST





2002-422
STAIR CLIMBER ASSEMBLY, E1EB

* NOTE: STAIR CLIMBER HALVES ARE NOT SEPARABLE *

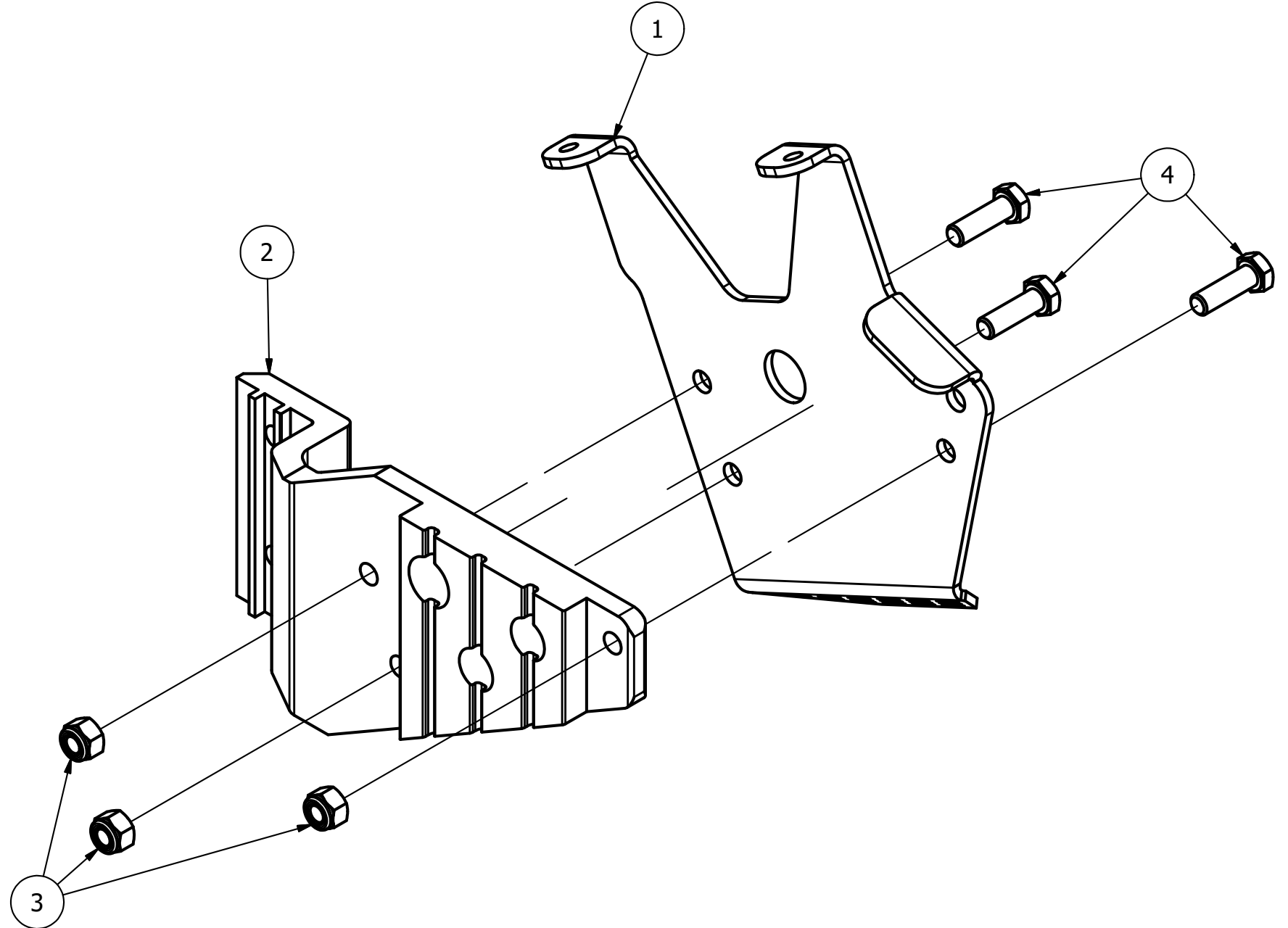
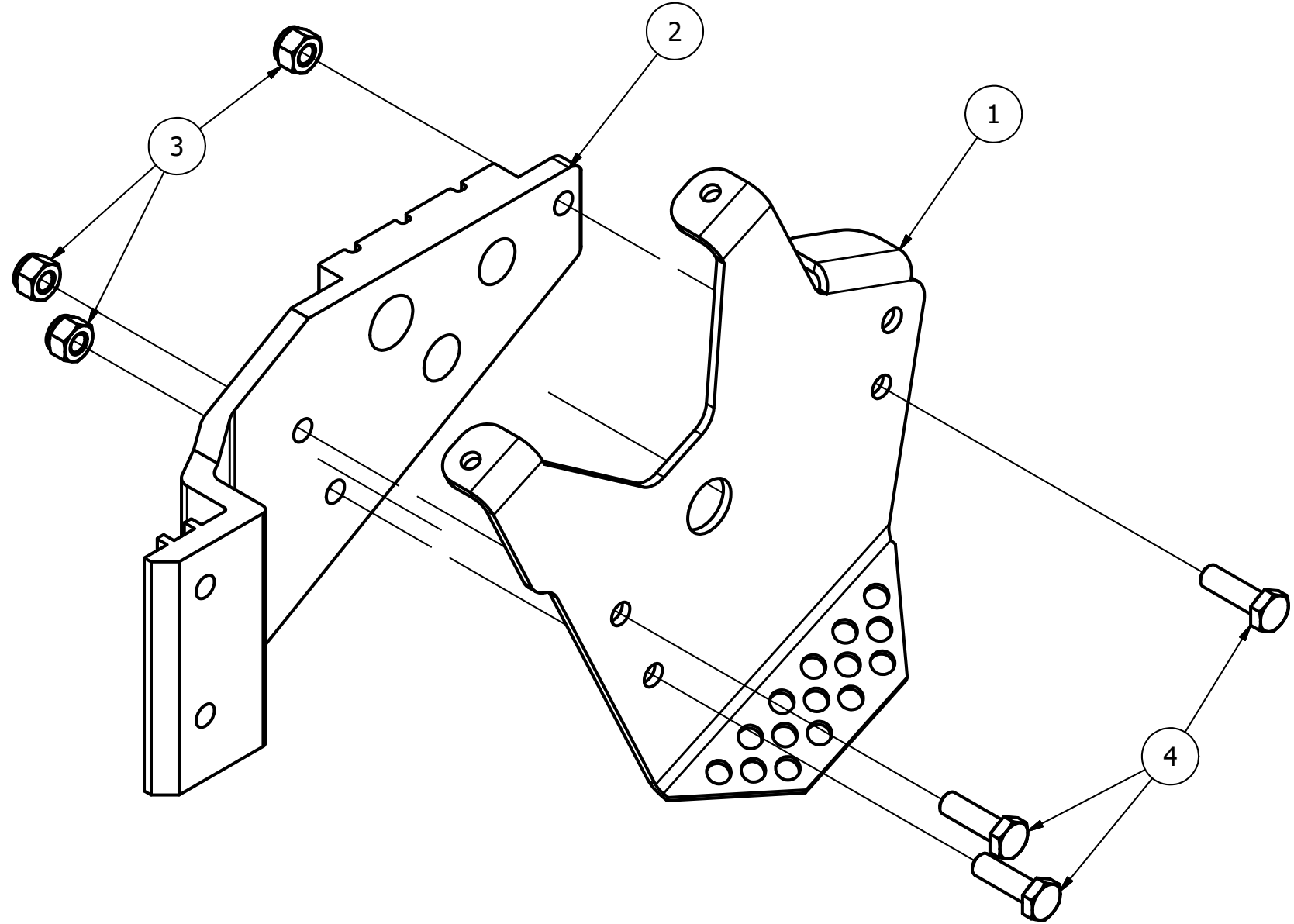
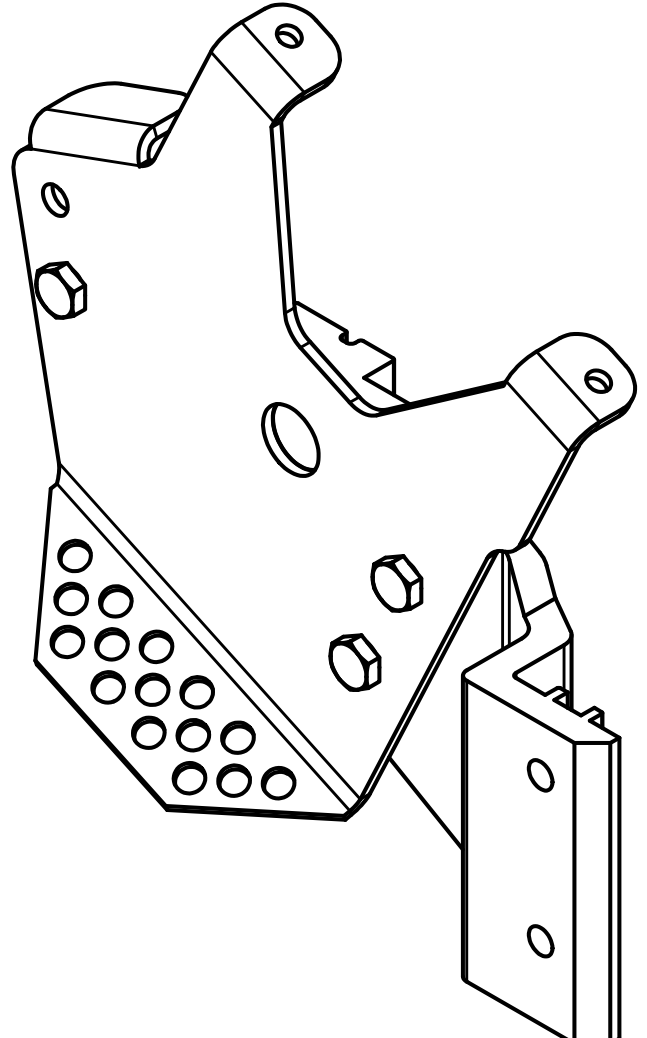
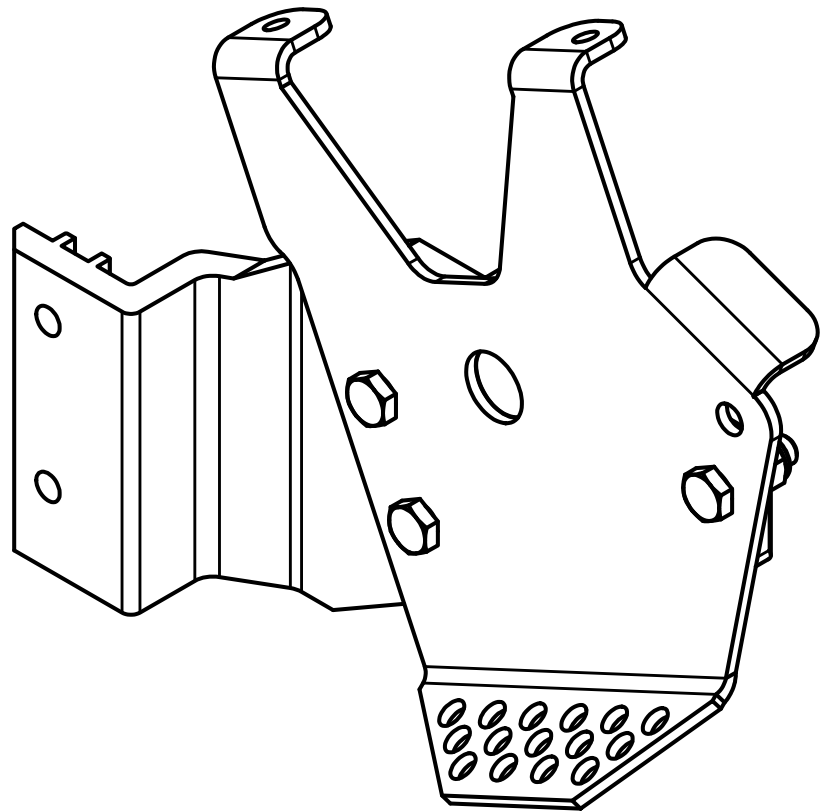
ITEM	QTY	PART NUMBER	DESCRIPTION
3	2	8001-002	NYLON-INSERT LOCKNUT, 10-24 - ZINC PLATED STEEL
5	2	8102-001	FILLISTER HEAD MACHINE SCREW, #12-24 X 3/4"
4	1	8039-009	WEAR STRIP, STAIR CLIMBER
1	1	2001-889	STAIR CLIMBER HALF, E1E, TOP
2	1	2001-890	STAIR CLIMBER HALF, E1E, BOTTOM

PARTS LIST

2006-105
A11 HANDLE GRIP ASSEMBLY

ITEM	QTY	PART NUMBER	DESCRIPTION
6	2	8003-006	WASHER, FLAT 3/8 SAE GR5 ZINC PLTD
7	2	8008-008	COTTER PIN, Ø3/32 X 3/4" - ZINC PLATED STEEL
8	2	8094-002	GRIP, BRAKE LEVER
4	1	2006-211	BRAKE HANDLE LEVER, LH
5	1	2006-212	BRAKE HANDLE LEVER, RH
3	1	2006-210	BRAKE HANDLE MOUNT PLATE, RH
1	1	2006-208	HANDLE LEVER AXLE
2	1	2006-209	BRAKE HANDLE MOUNT PLATE, LH

PARTS LIST



2006-119
WHEEL BRACKET ASSEMBLY, LH

2006-120
WHEEL BRACKET ASSEMBLY, RH

1	1	2006-221	WHEEL GUARD, LH
3	3	8001-005	NYLON-INSERT LOCKNUT, 5/16-18 - ZINC PLATED STEEL
4	3	8007-010	HHCS, 5/16-18 X 1" - GR 5 ZINC PLATED
2	1	2006-705	WHEEL BRACKET, LH
ITEM	QTY	PART NUMBER	DESCRIPTION
PARTS LIST			

1	1	2006-222	WHEEL GUARD, RH
3	3	8001-005	NYLON-INSERT LOCKNUT, 5/16-18 - ZINC PLATED STEEL
4	3	8007-010	HHCS, 5/16-18 X 1" - GR 5 ZINC PLATED
2	1	2006-706	WHEEL BRACKET, RH
ITEM	QTY	PART NUMBER	DESCRIPTION
PARTS LIST			